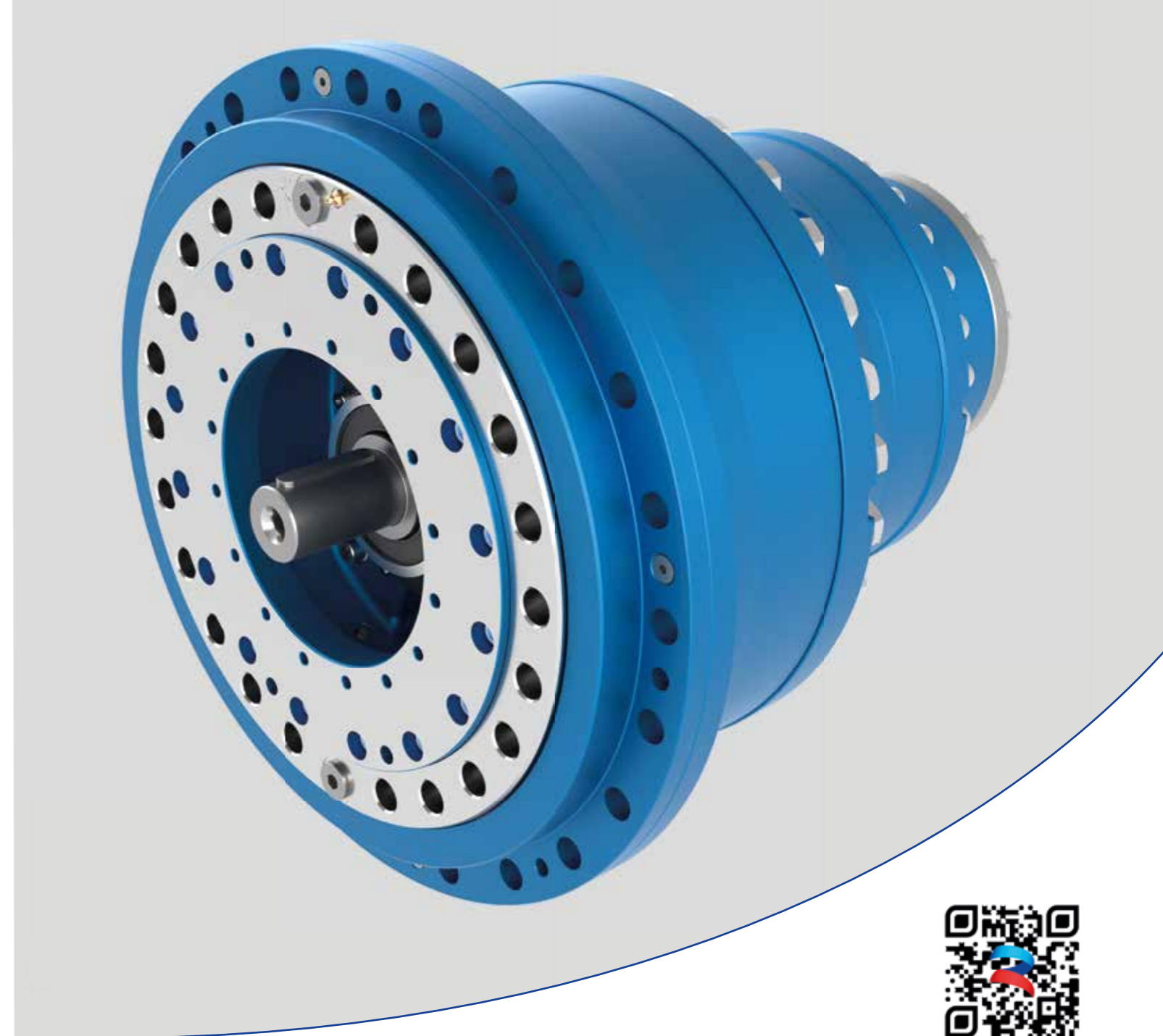


Examples of application



over **1,000** people around the world

5,000 customers worldwide

over **70** years of experience

18 affiliated companies

5 production facilities
8 assembly plants

18 authorized service centers



EP WINCH



rossi.com



EP WINCH is a system specifically designed for driving winches that find applications, for example, in tower cranes and winder machines.

EP WINCH is an innovative solution that, thanks to its advanced design, ensures a high level of reliability and

guarantees high standards of productivity due to its wide range of allowable speeds. The Winch rotating housing gearbox is mounted directly inside the drum, reducing the overall winch dimensions and improving the system integration.

Features

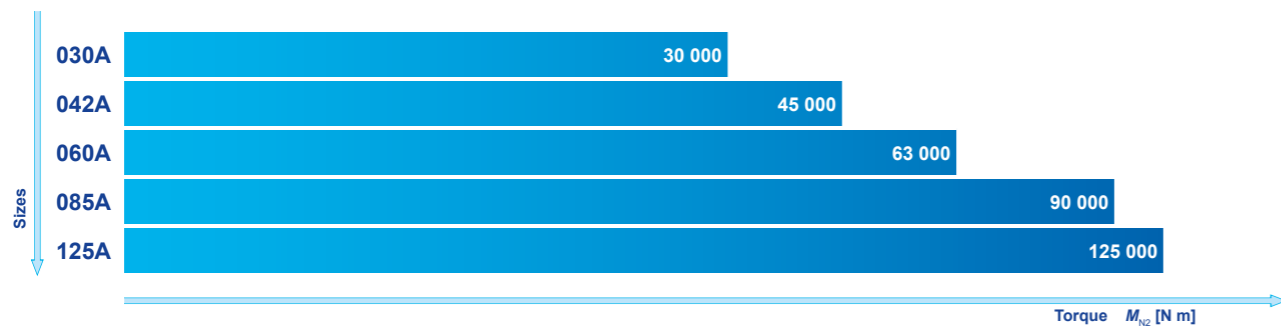
Benefits

Compact design	→	Suitable for all winch applications
Modular system	→	Easy installation and maintenance
Flexible design	→	Suitable for both electrical and hydraulic motors
DNV Type Approval	→	Suitable for marine applications
Cutting-edge design	→	Very high speeds allowed

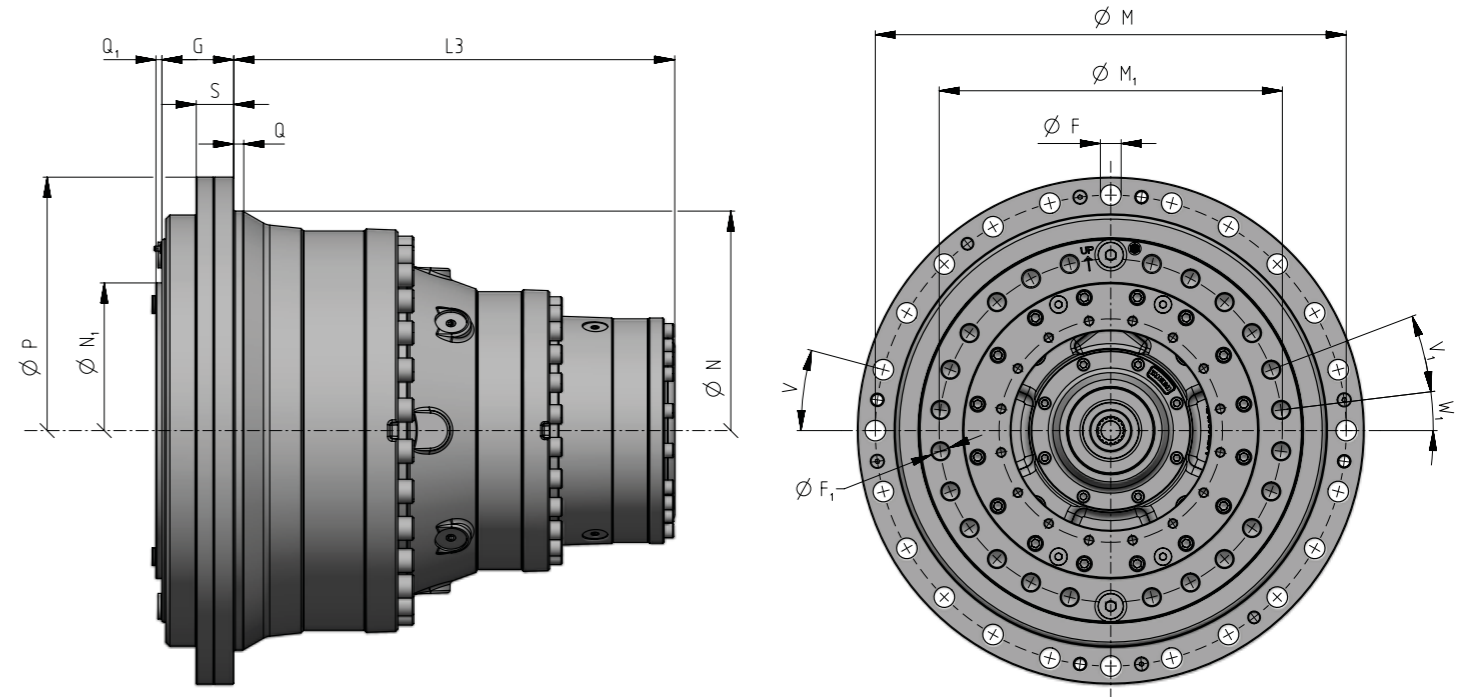
Technical specifications

- 5 sizes (030A ... 125A)
- Torque up to 125 000 N m
- Suitable for both electric and hydraulic motors
- Hydraulic parking brakes available

EP WINCH product range



Main dimensions



	ØP	ØM	ØN f7	Q	ØF	V	S	L3	G	M ₁	ØN ₁ h6	Q ₁	ØF ₁	W ₁	V ₁
R 3WL 030A	444	415	386	41	24x17	15°	30	377	80	290	256	6,5	30xM16	0°	11° 15'
R 3WL 042A	530	490	440	9	24x22	15°	40	394	90	352	315	6,5	22xM24	0°	15°
R 3WL 060A	565	520	470	18	18x26	20°	47	430	90	380	325	7	22xM24	0°	15°
R 3WL 085A	635	560	550	12,5	24x26	15°	47	553	90	430	370	7,5	24xM24	6° 55'	13° 51'
R 3WL 125A	680	630	580	10	24x26	15°	45	601	90	470	420	7,5	22xM30	0°	15°

Transmission ratios and rating torque

	Transmission ratio i										$M_{N2 FEM}$	M_{2max}	M_{2stat}
											N m	N m	N m
R 3WL 030A	49,6	59,1	70,3	75,2	89,4	105	114	134	146	172	31 790	55 700	57 000
R 3WL 042A	50,7	60,4	71,9	84,2	91,4	107	126	137	160	-	47 320	82 700	87 000
R 3WL 060A	49,6	59,1	70,3	75,2	89,4	105	114	134	146	172	61 180	108 400	110 000
R 3WL 085A	-	59,1	70,3	76,1	89,4	105	115	135	146	172	90 340	144 900	150 000
R 3WL 125A	-	60,4	71,9	84,2	91,4	107	126	136	160	-	119 460	207 500	212 000