



# Metal

rossi.com





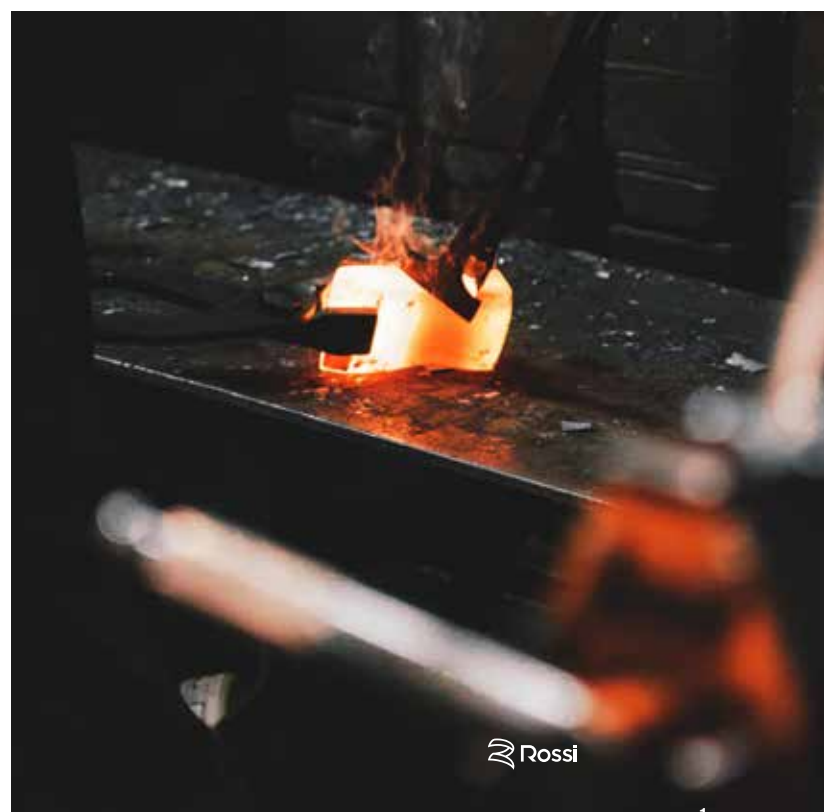
# Metal

With 70 years experience in industrial gear unit manufacturing, Rossi supplies strong and reliable gearmotors to metal sector, confirmed by a 3 year standard warranty. In-house designed gearboxes and gearmotors, with several special options, support the Customer in meeting application technical requirements.

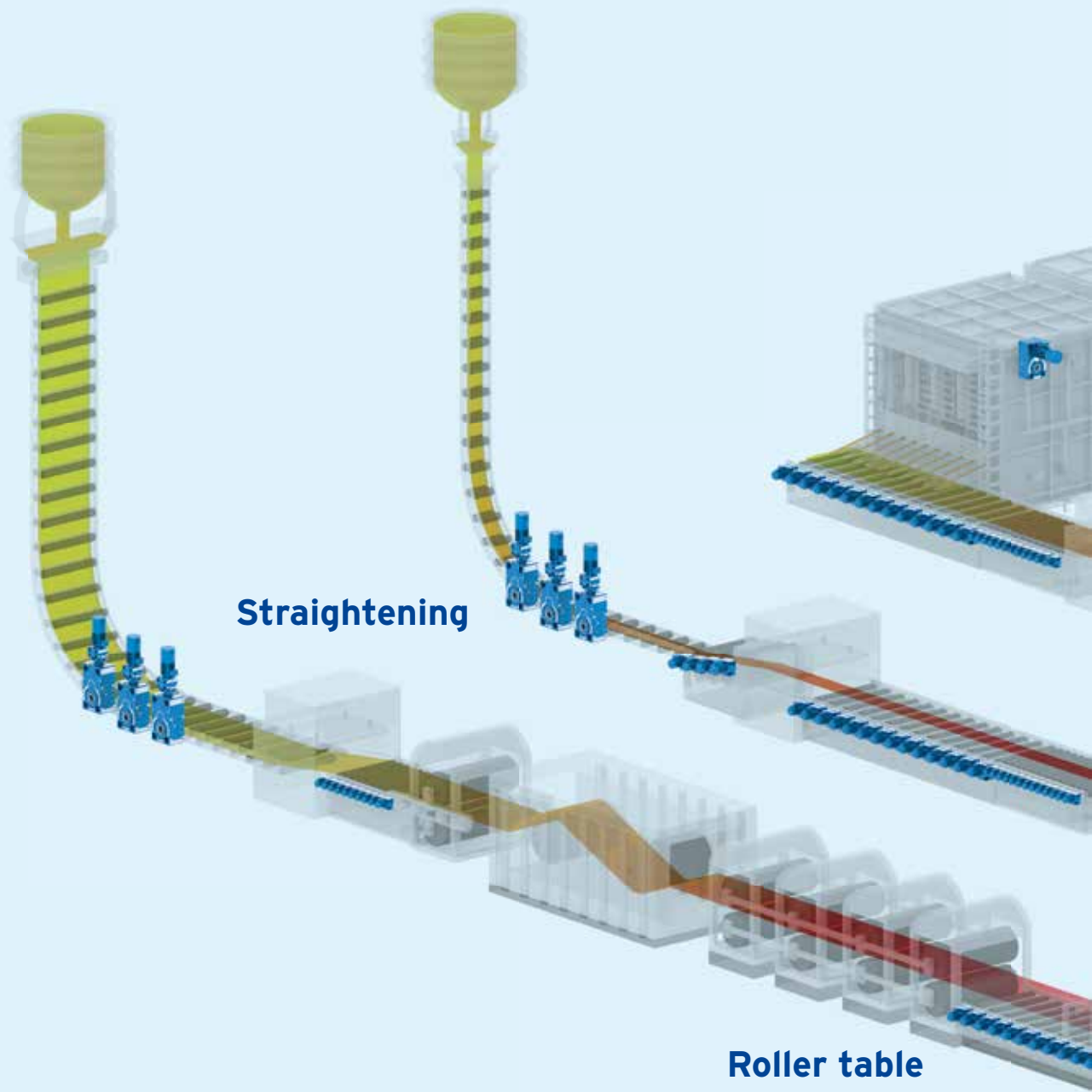
Recognized by all major steel manufacturing as well as EPC Companies, Rossi gearmotors have been selected and are running more than 250 plants Worldwide in different applications like roller tables, tunnel furnaces, straighteners, bridles and loopers. A Project Team provides gearmotor selection, datasheets and drawings in a very short time, improving Customer efficiency and project development.



Metal



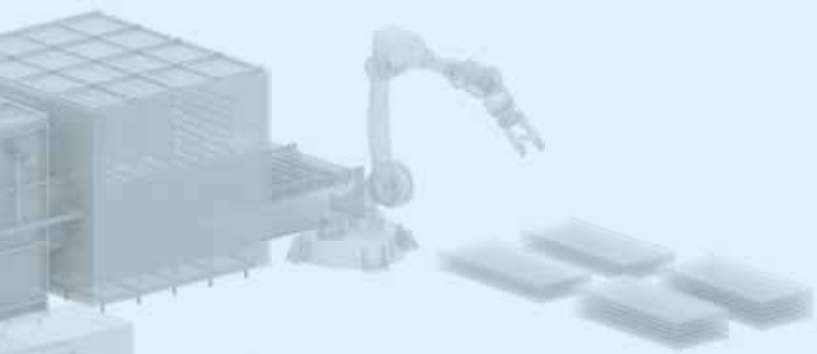
# Continuous casting



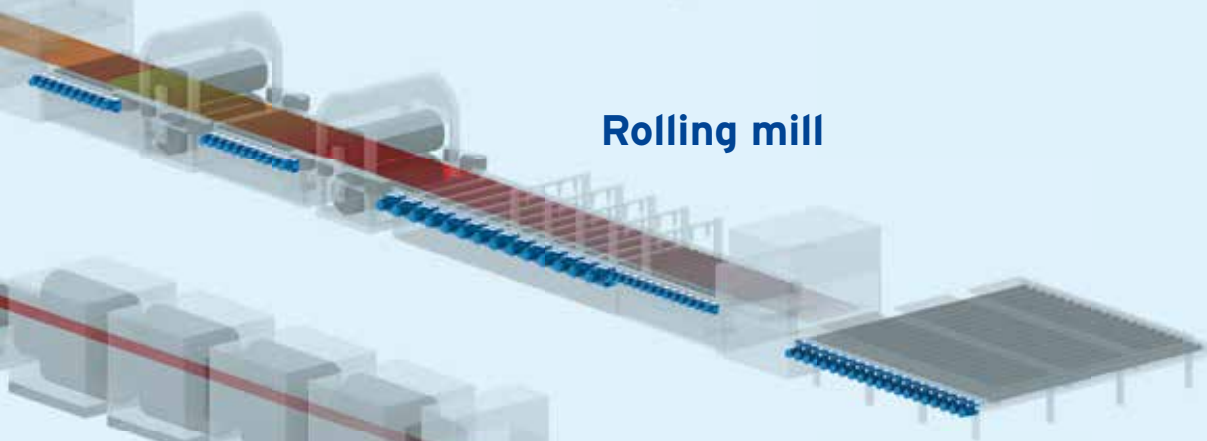


Scan the QR code to  
watch the video

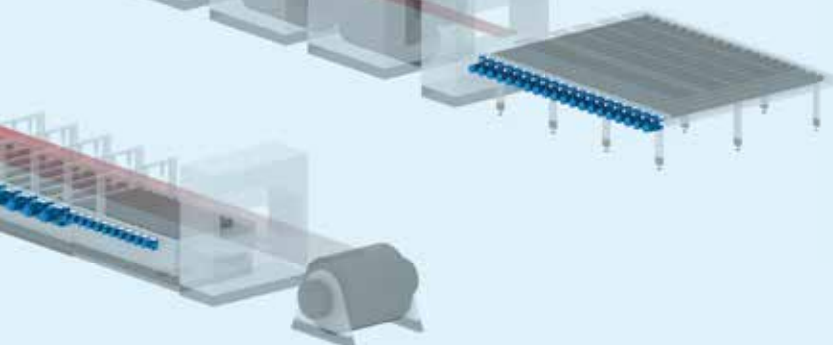
**Furnace**



**Rolling mill**

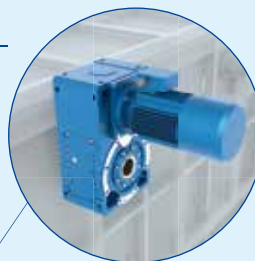


**Cooling bed**





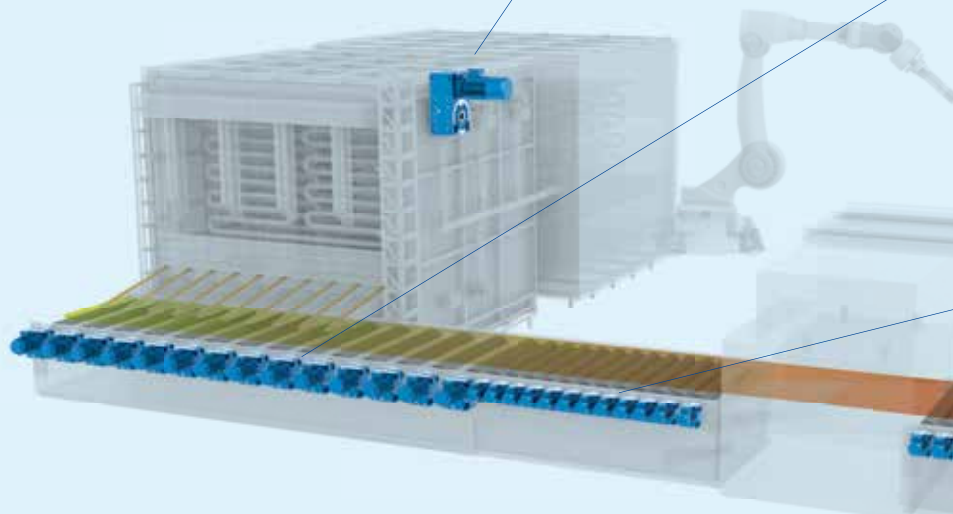
# Furnace



**G series**  
Helical gearmotor

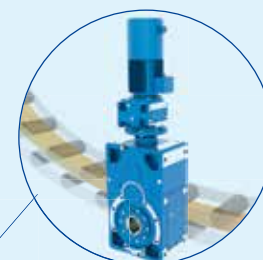


**E series**  
Coaxial inline gearmotor

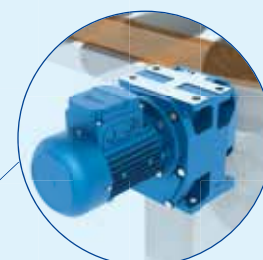
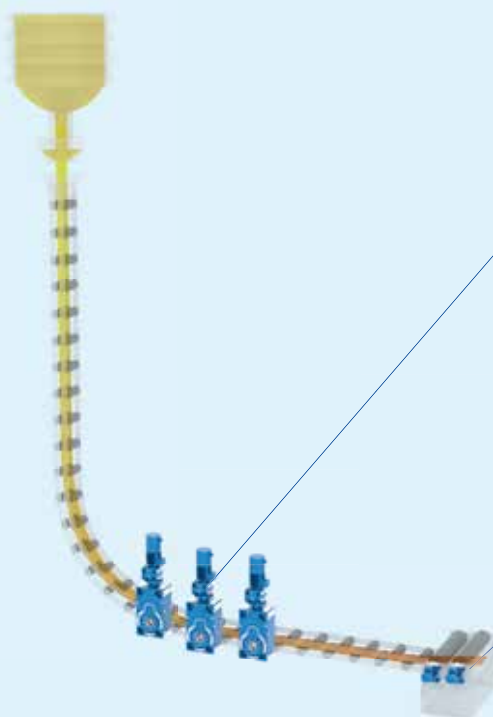


**E series**  
Coaxial inline gearmotor

# Withdrawal & straightening

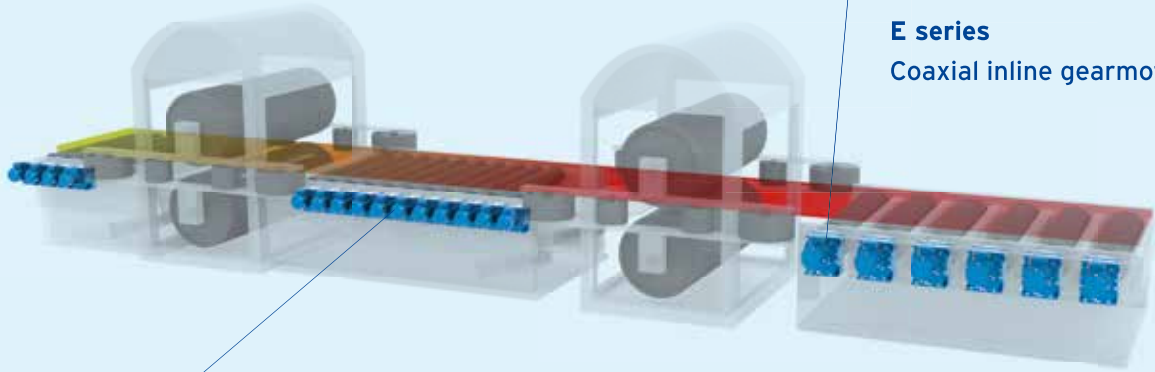


**G + E series**  
Combined unit  
Coaxial + Helical



**E series**  
Coaxial inline gearmotor

# Rolling mill

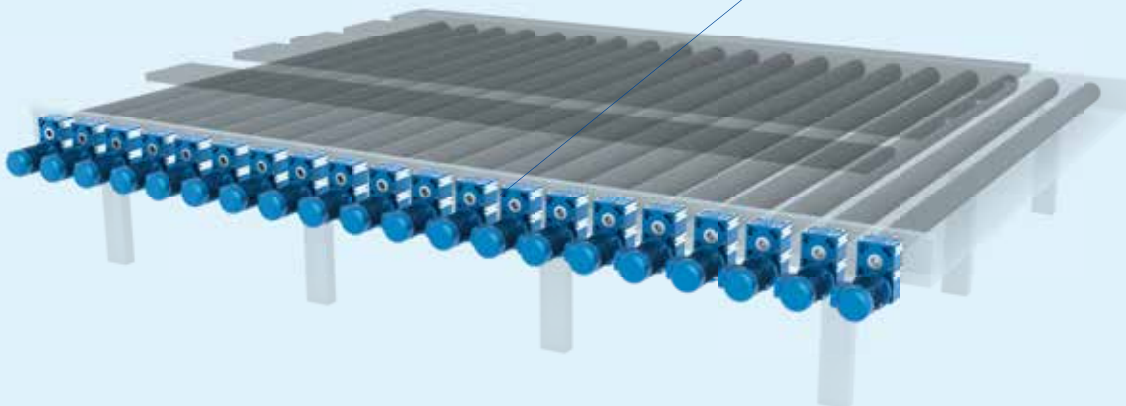


**E series**  
Coaxial inline gearmotor



**E series**  
Coaxial inline gearmotor

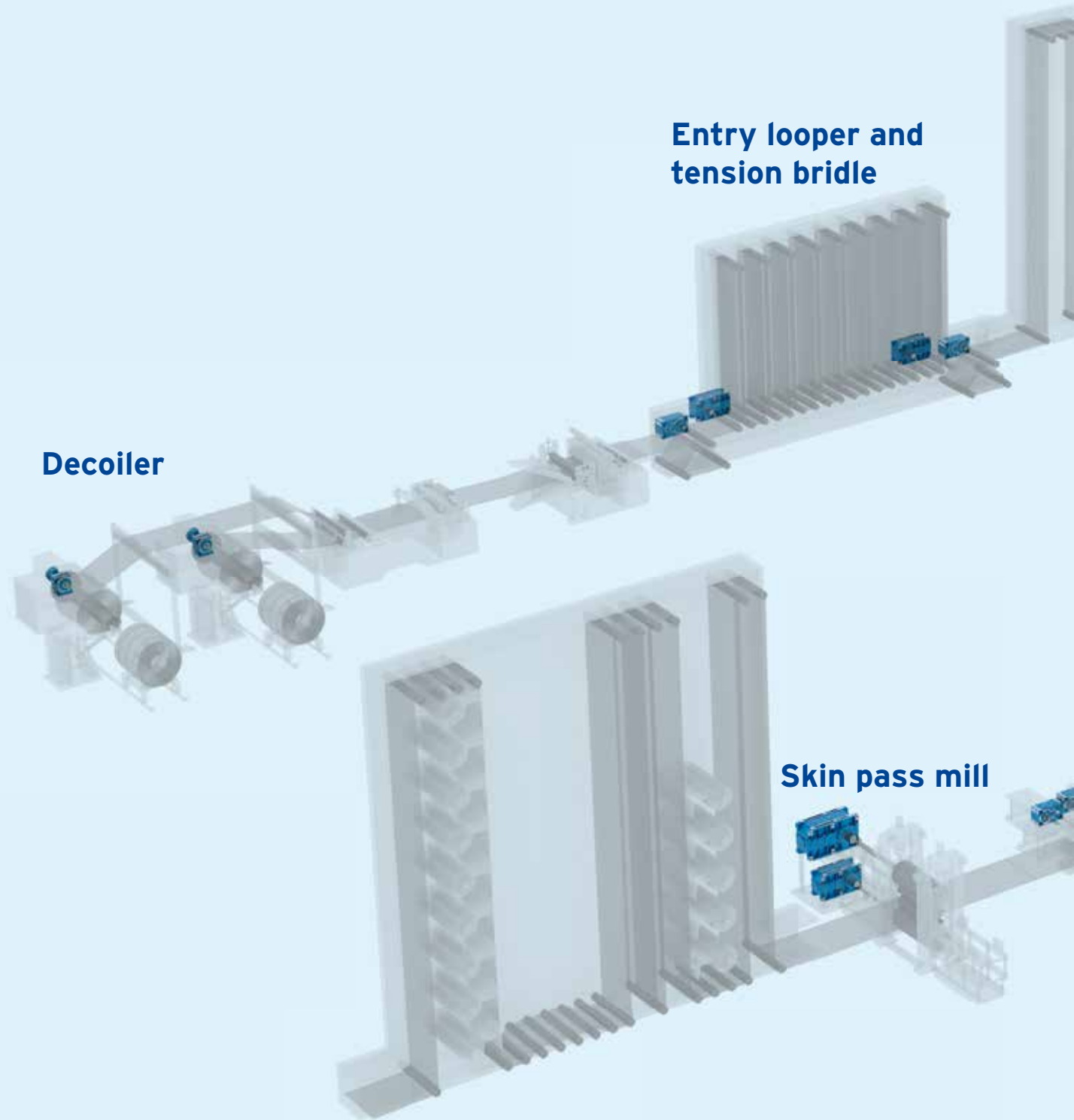
# Cooling bed



**G series**  
Helical gearmotor



# Processing & treatment

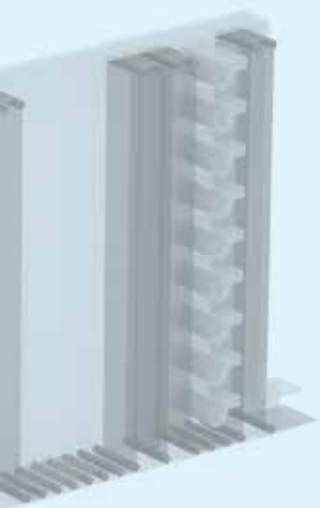


Decoiler

Entry looper and tension bridle

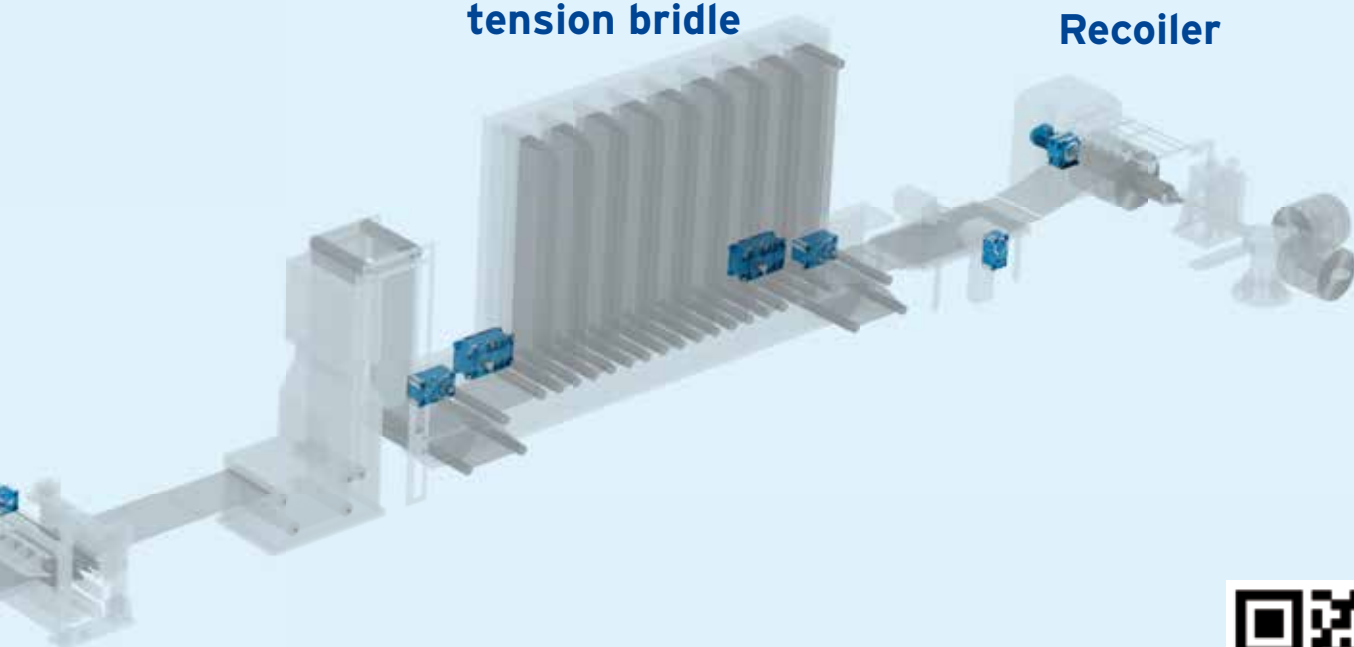
Skin pass mill





**Exit looper and tension bridle**

**Recoiler**

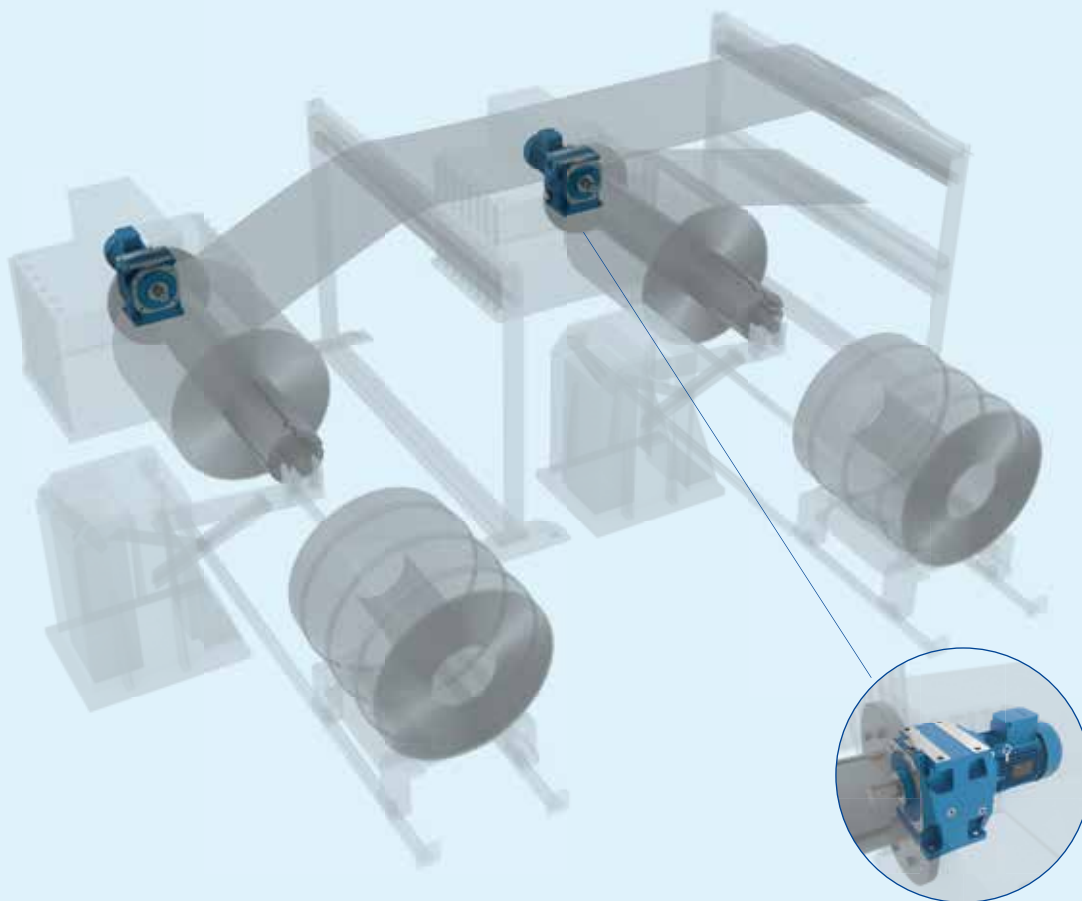


**Tension leveler**



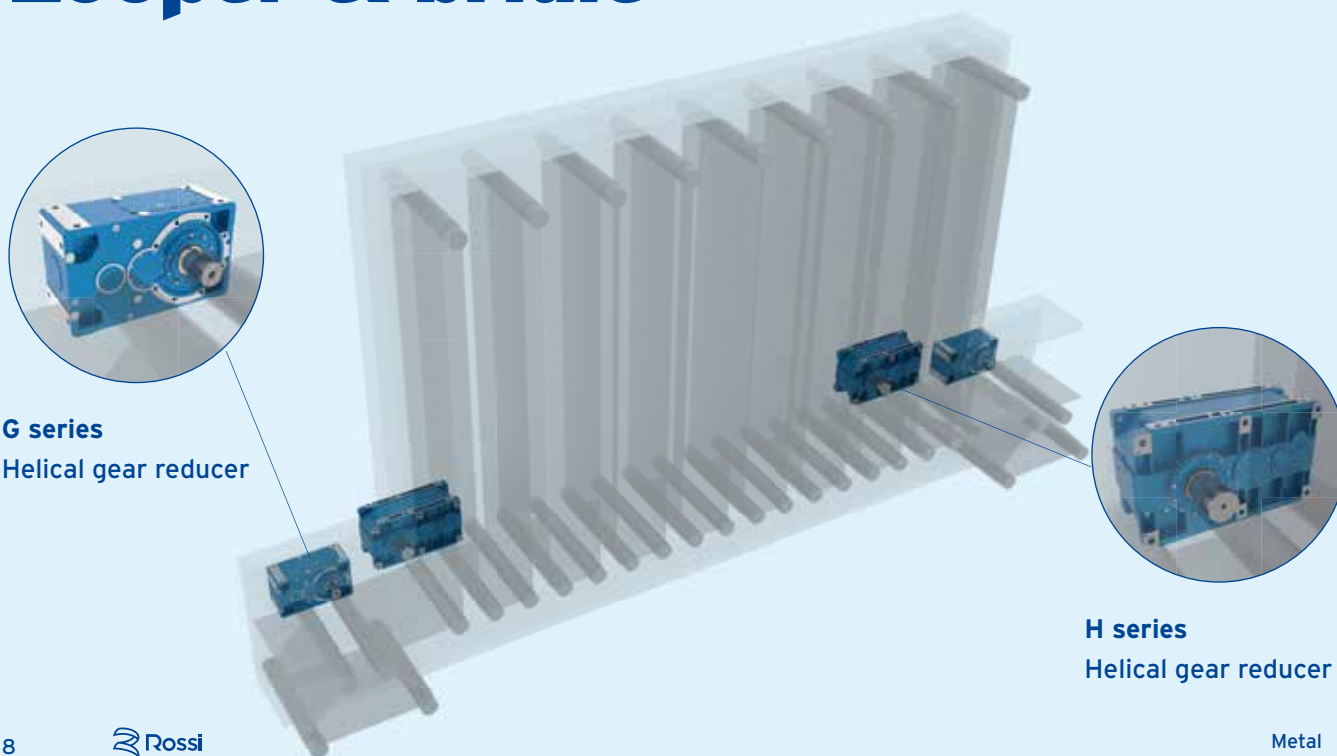
Scan the QR code to watch the video

# Decoiler/Recoiler



**E series**  
Coaxial inline gearmotor

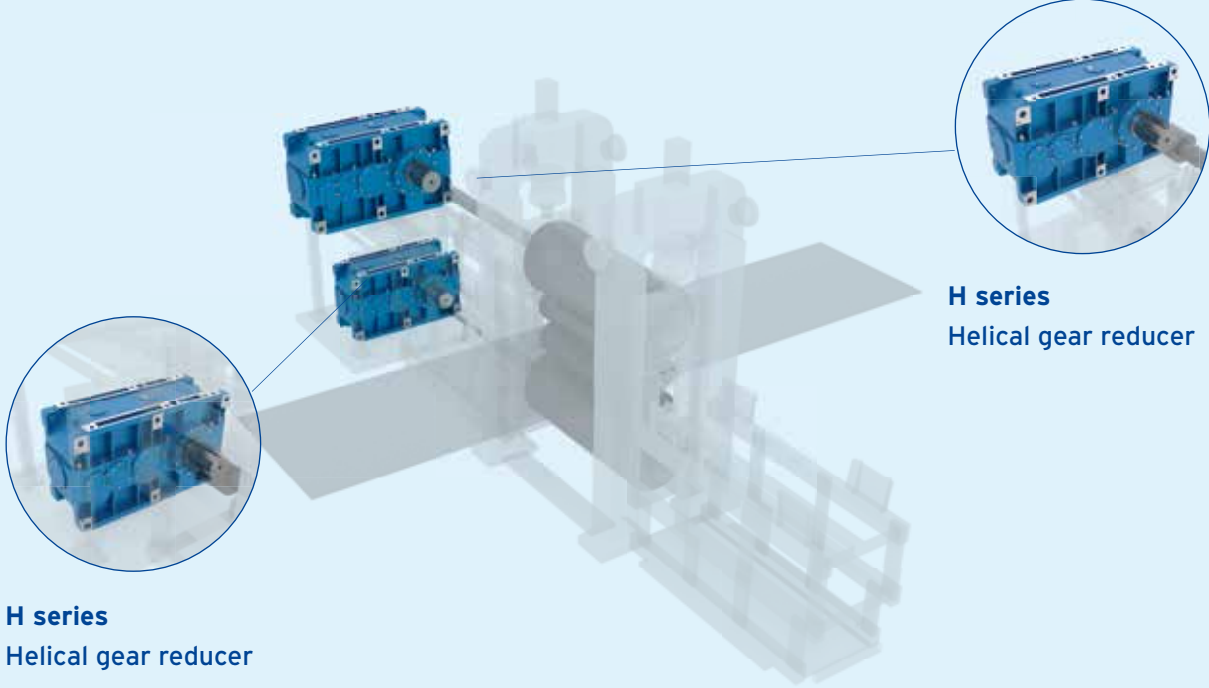
# Looper & bridle



**G series**  
Helical gear reducer

**H series**  
Helical gear reducer

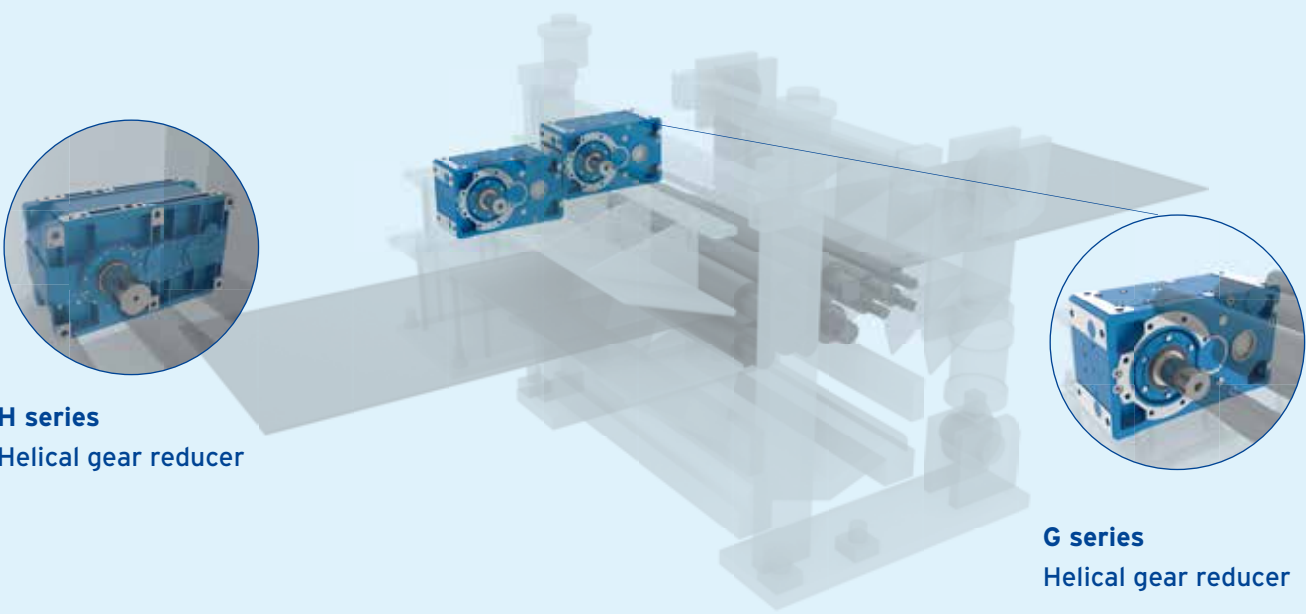
# Skin pass mill



**H series**  
Helical gear reducer

**H series**  
Helical gear reducer

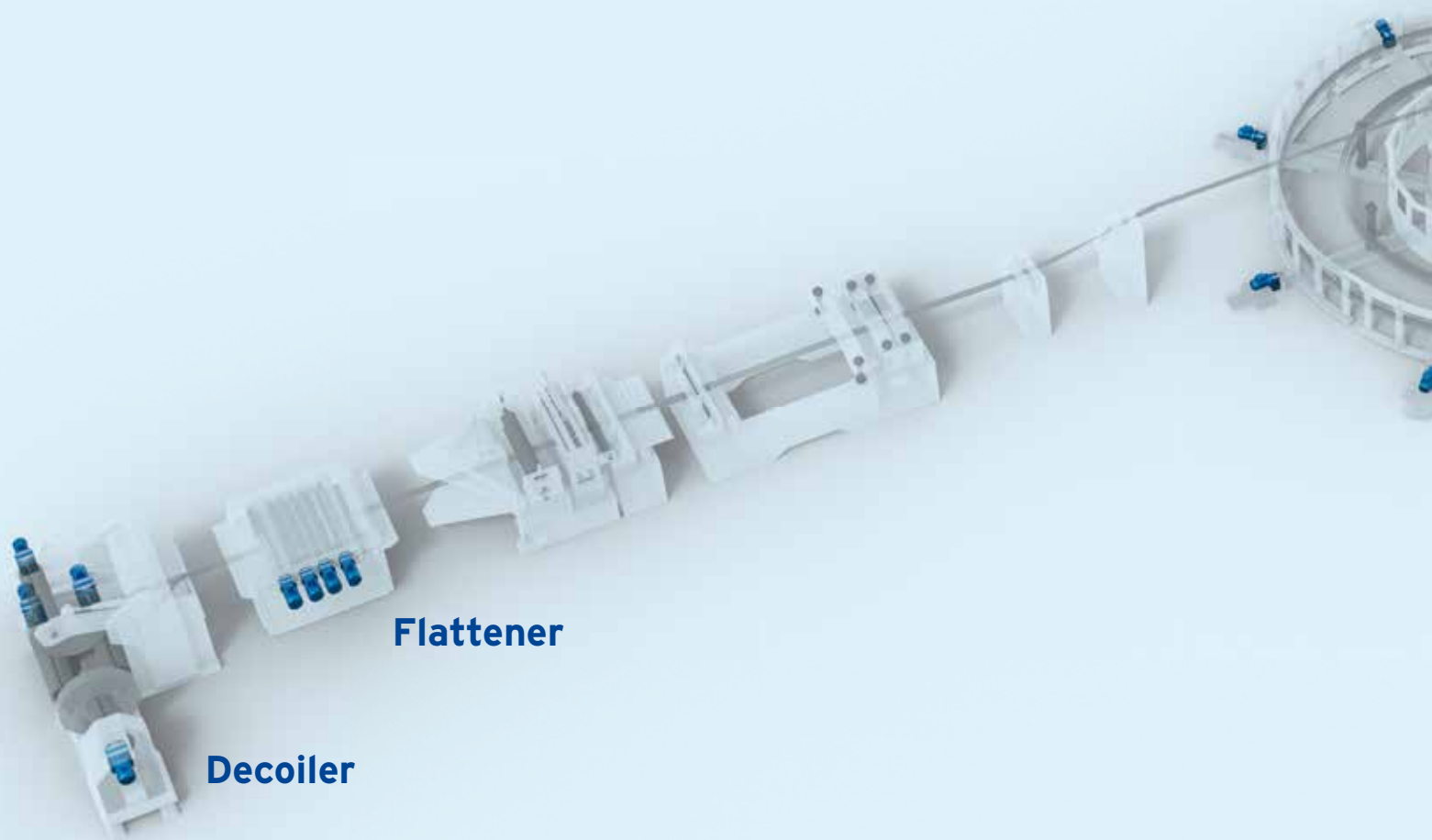
# Tension leveler



**H series**  
Helical gear reducer

**G series**  
Helical gear reducer

# Pipe milling

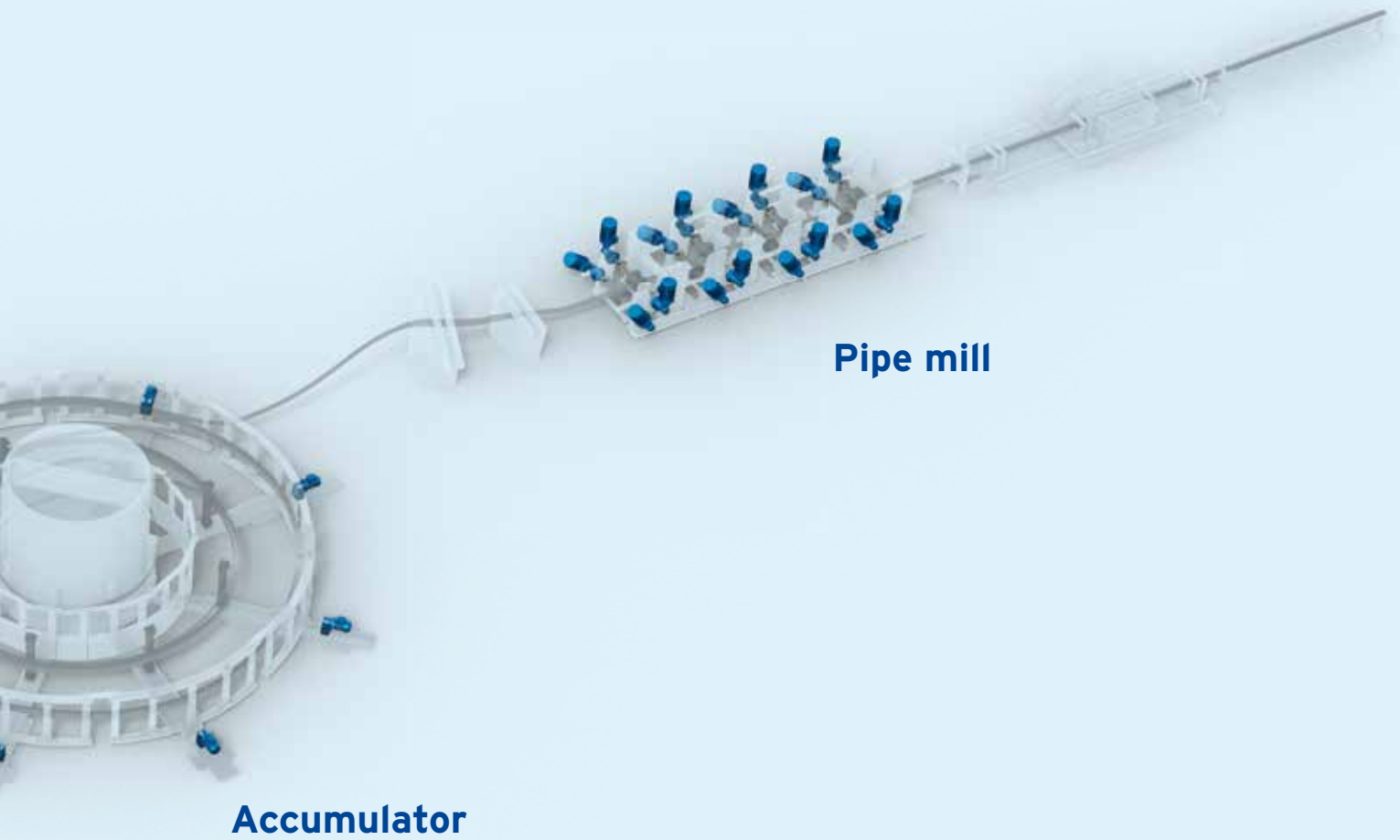


**Flattener**

**Decoiler**



Scan the QR code to  
watch the video

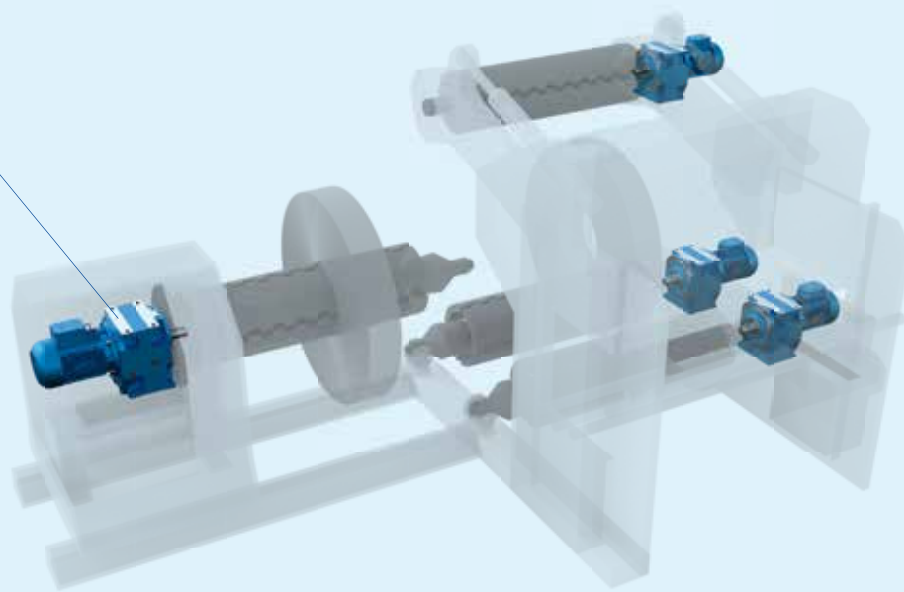




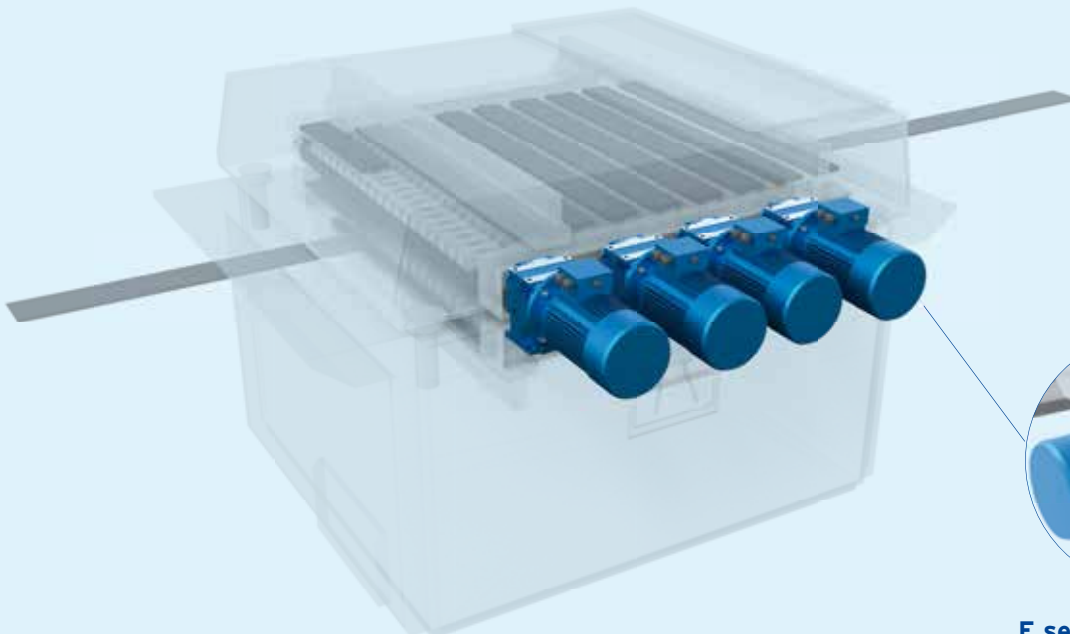
# Decoiler



**E series**  
Coaxial inline gearmotor



# Flattener

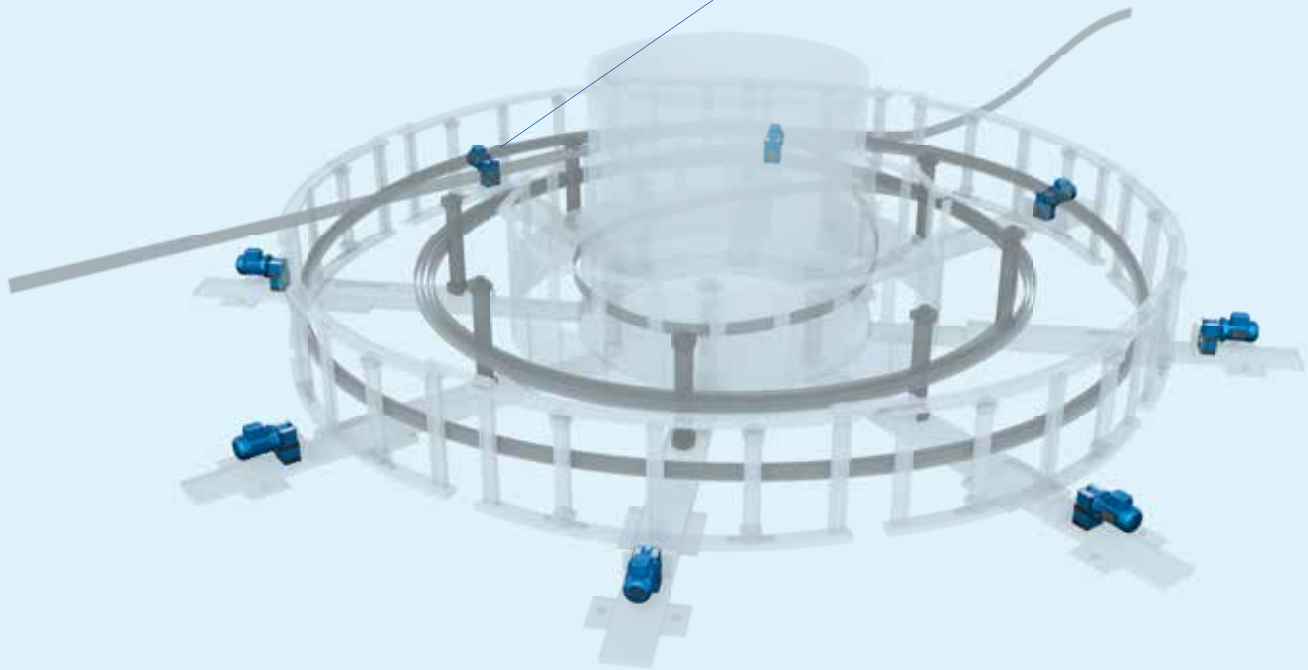


**E series**  
Coaxial inline gearmotor

# Accumulator



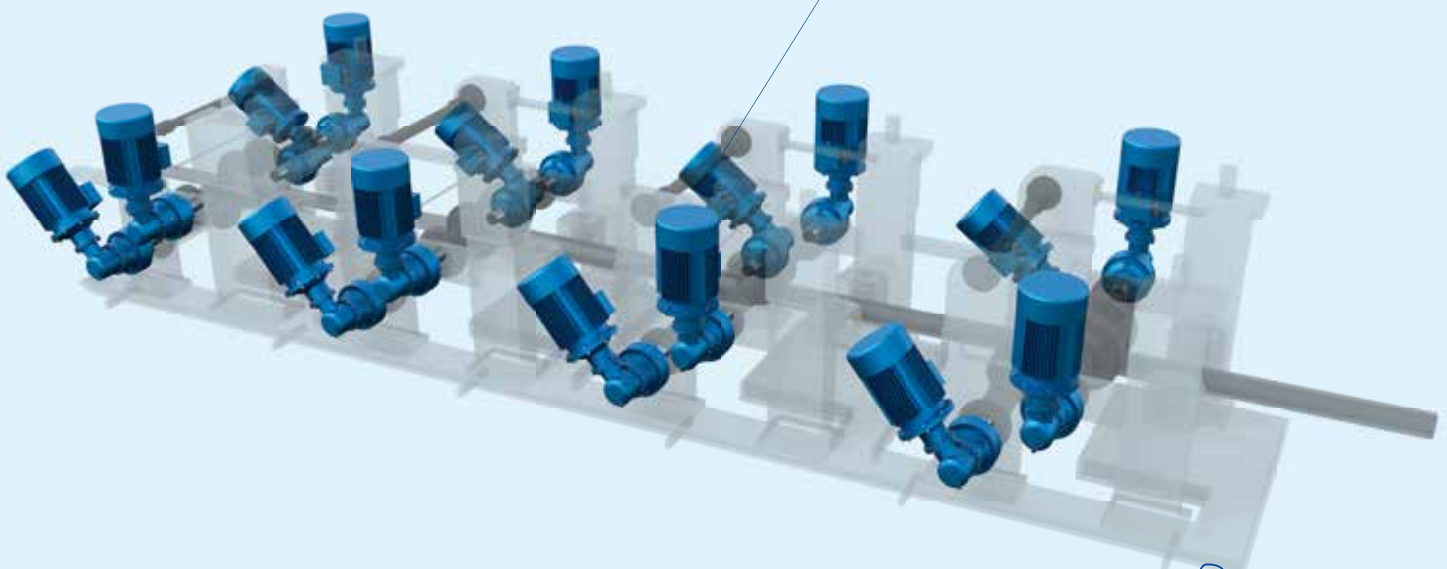
**G series**  
Helical gearmotor



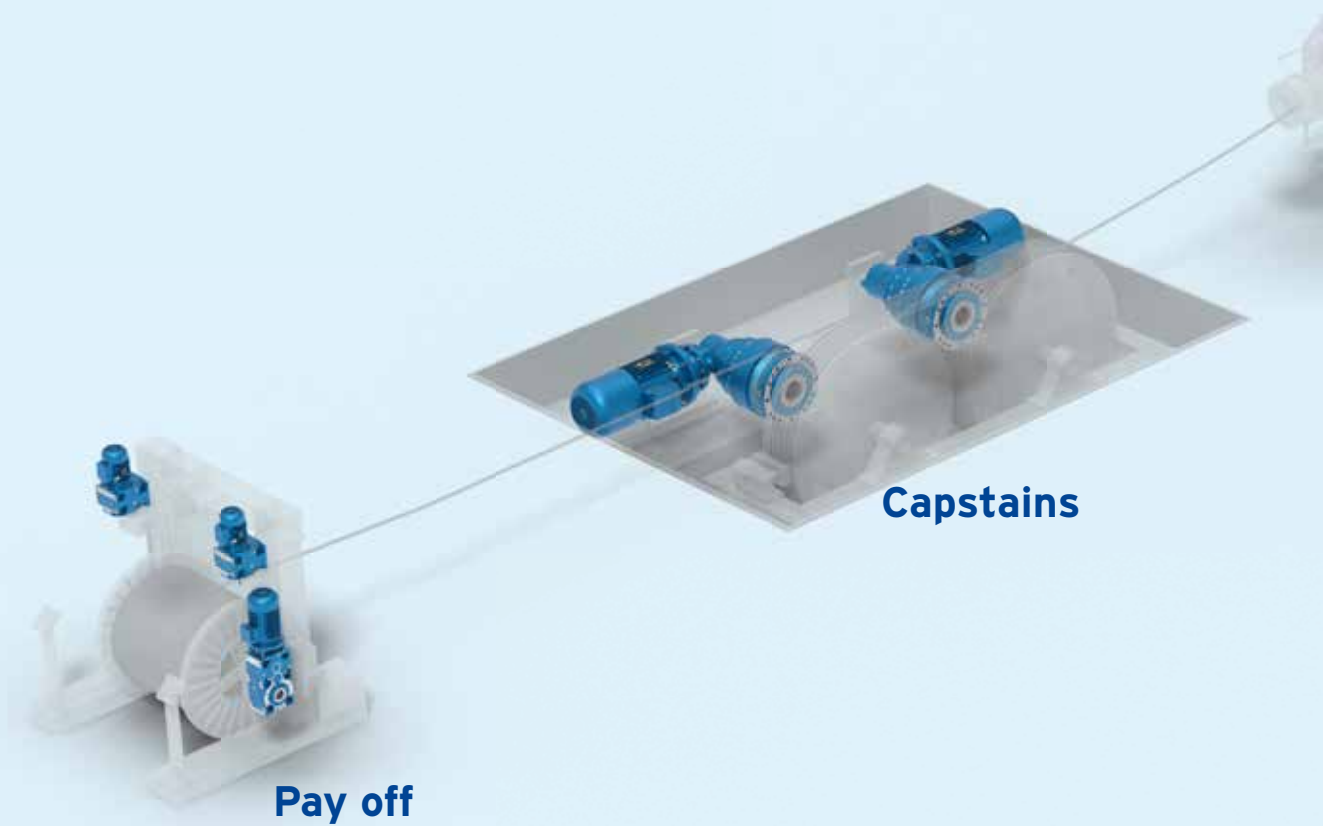
# Pipe mill



**EP series**  
Planetary gear reducer



# Wire stranding



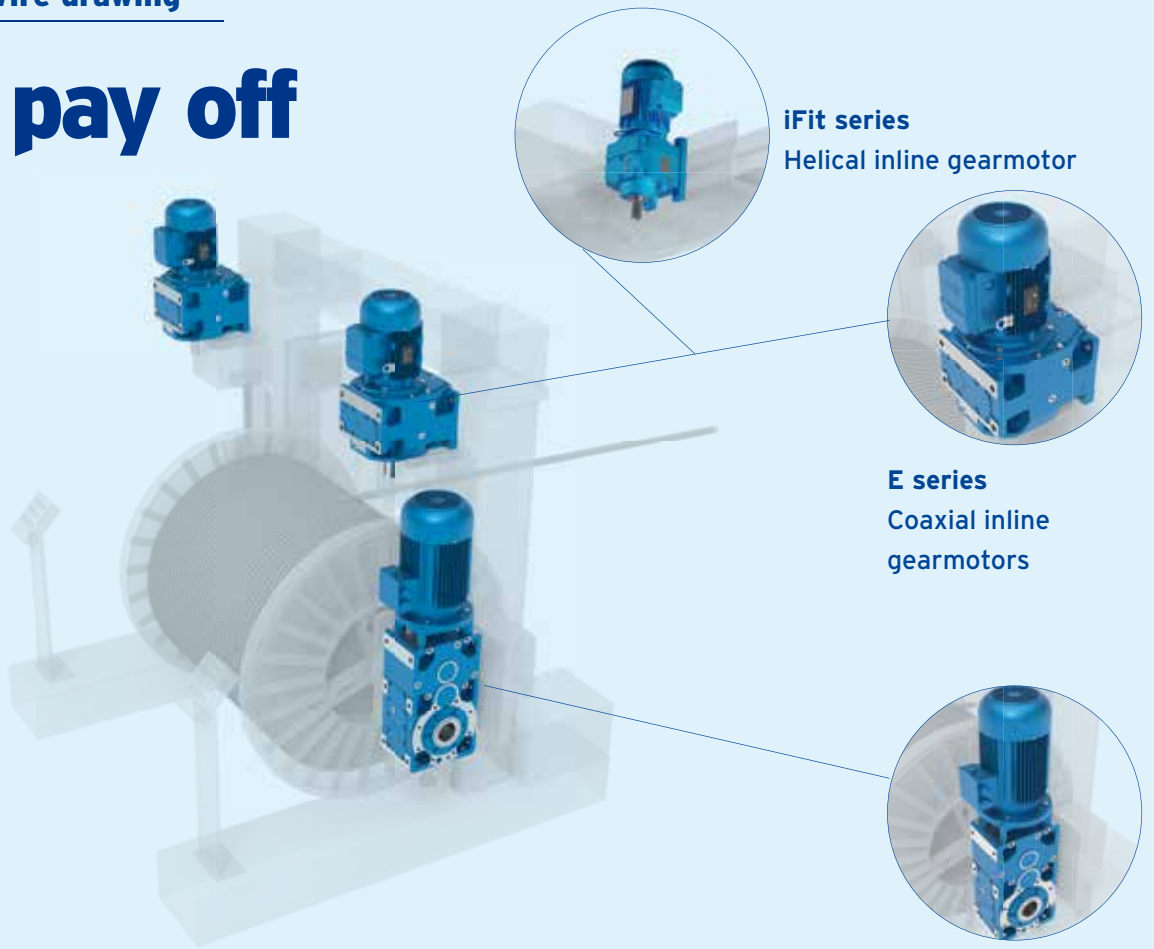


Scan the QR code to  
watch the video

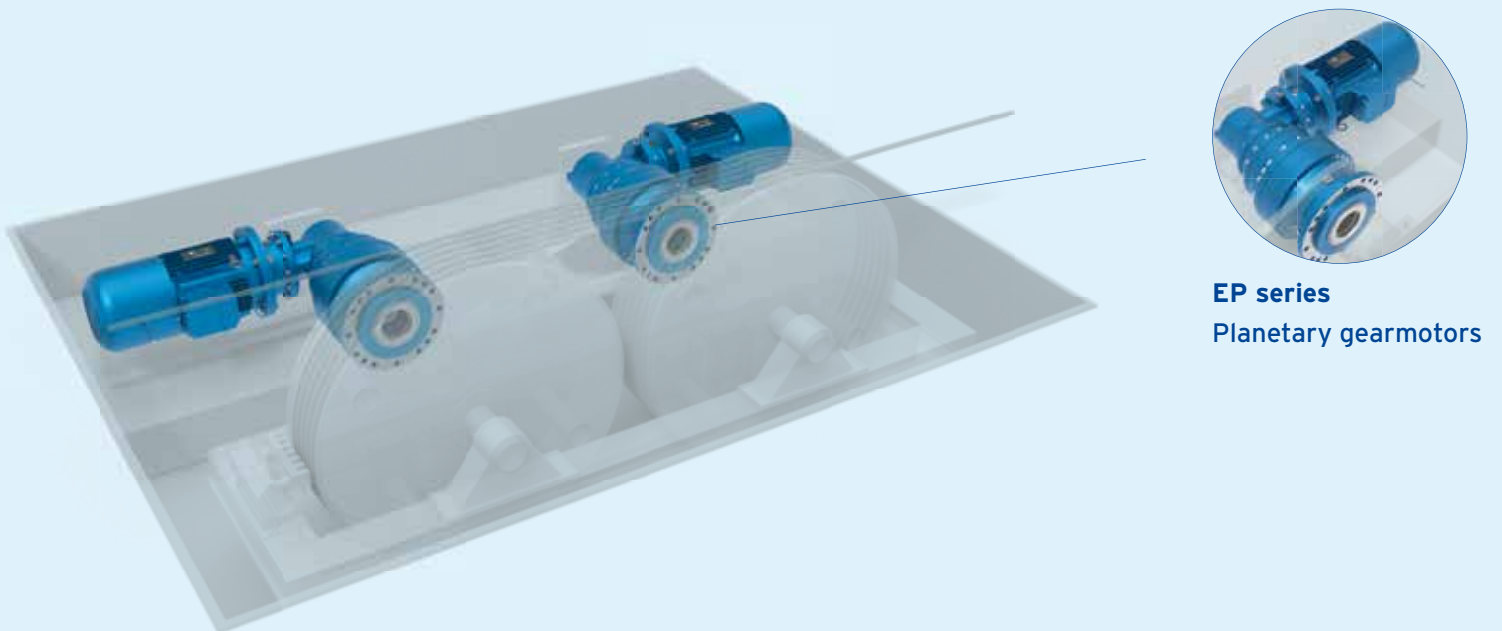


**Stranding machine**

# Portal pay off

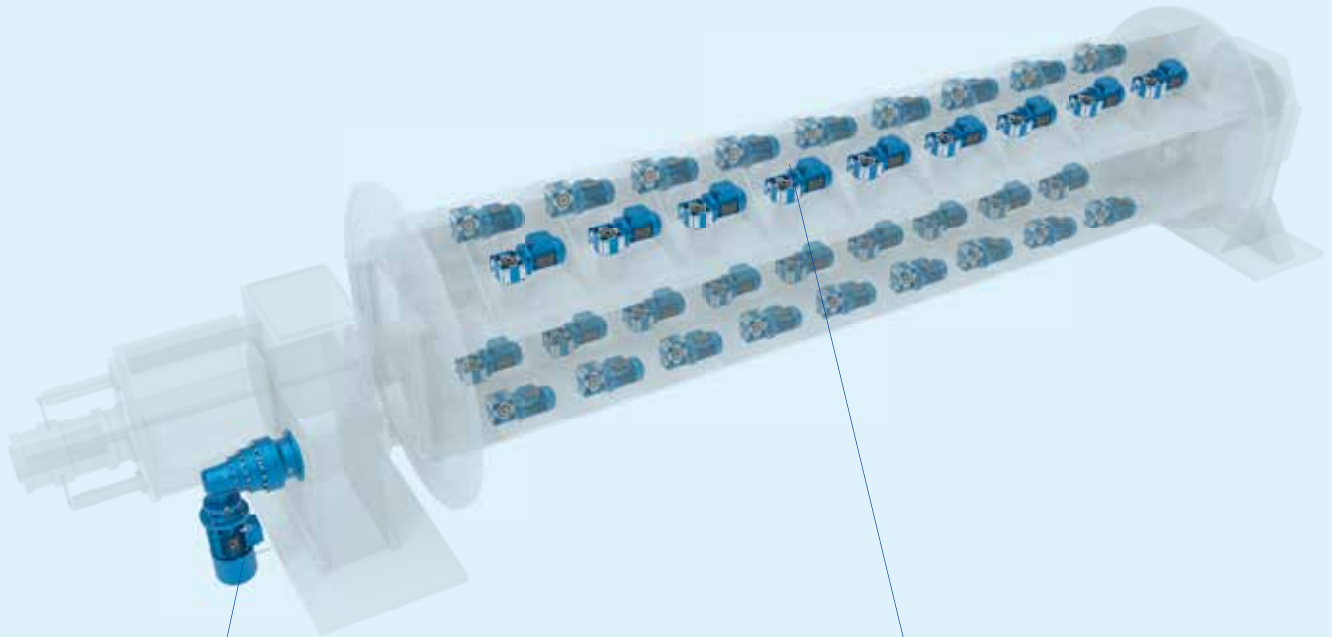


# Capstains

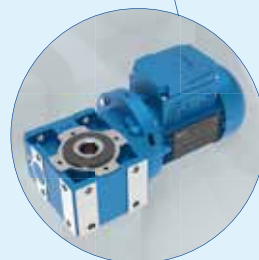




# Stranding machine

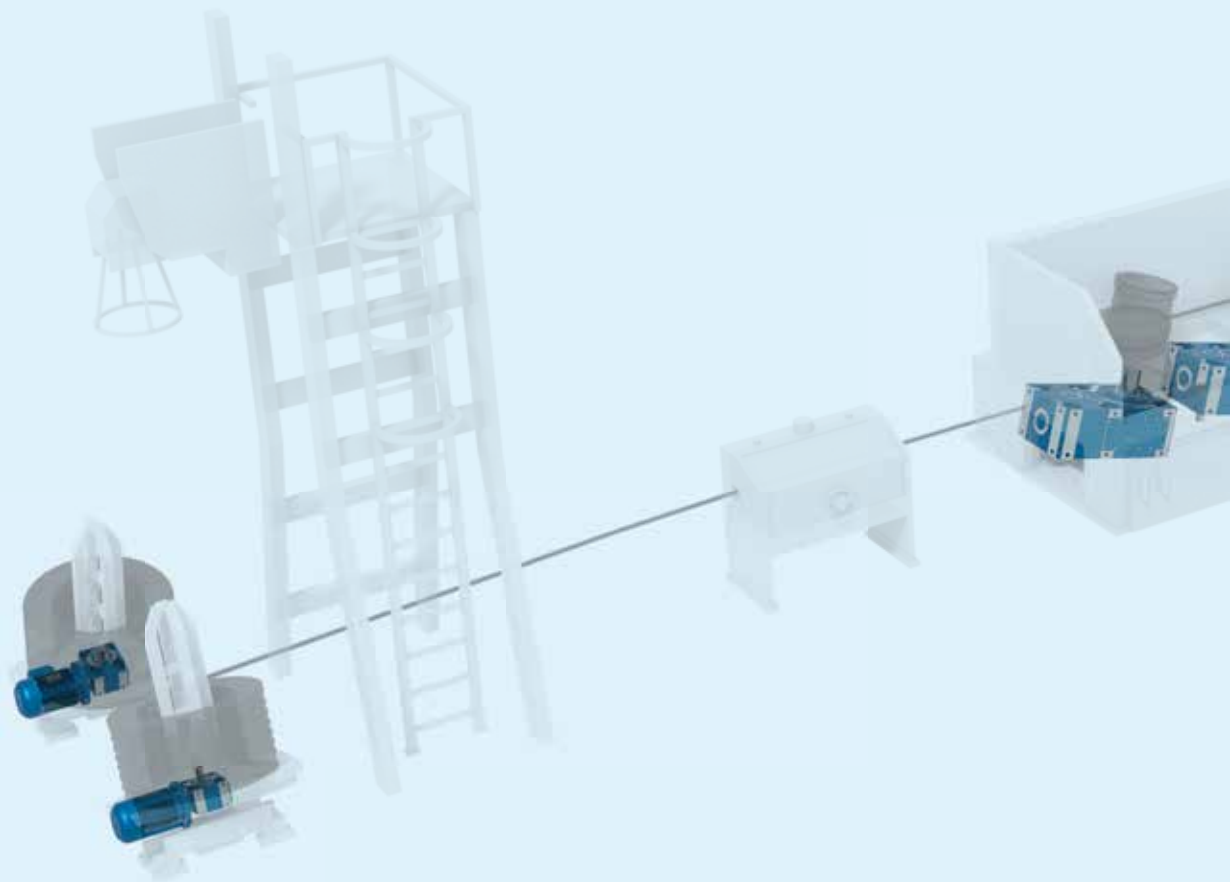


**EP series**  
Planetary gearmotors



**A series**  
Worm gearmotors

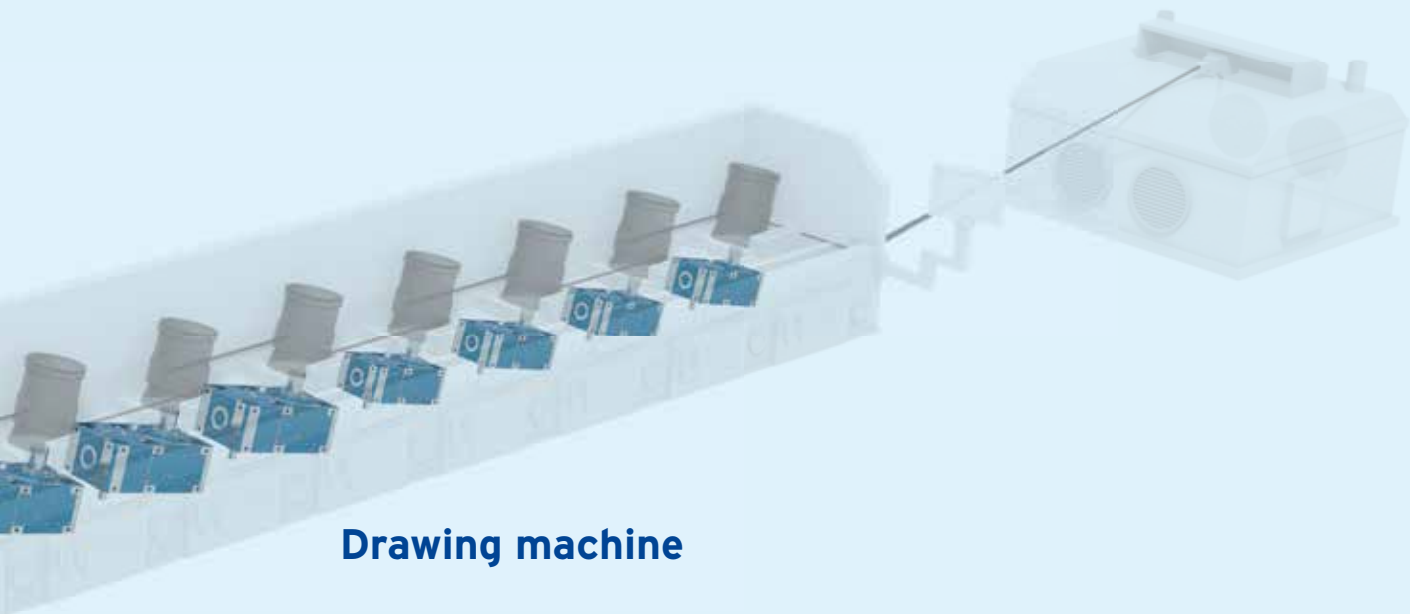
# Wire drawing



**Pay off**



Scan the QR code to  
watch the video



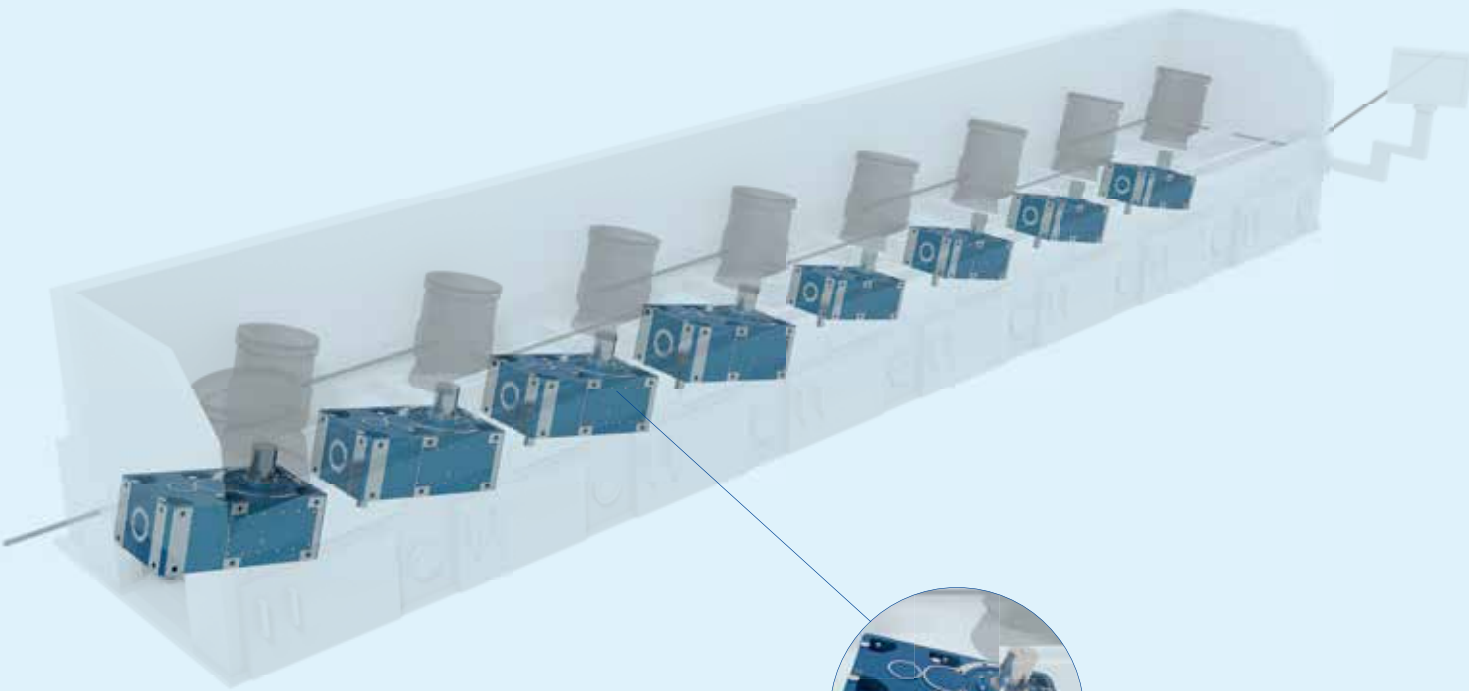
## Drawing machine

# Pay off



**G series**  
Bevel helical gearmotor

# Drawing machine



**G series**  
Helical gear reducer

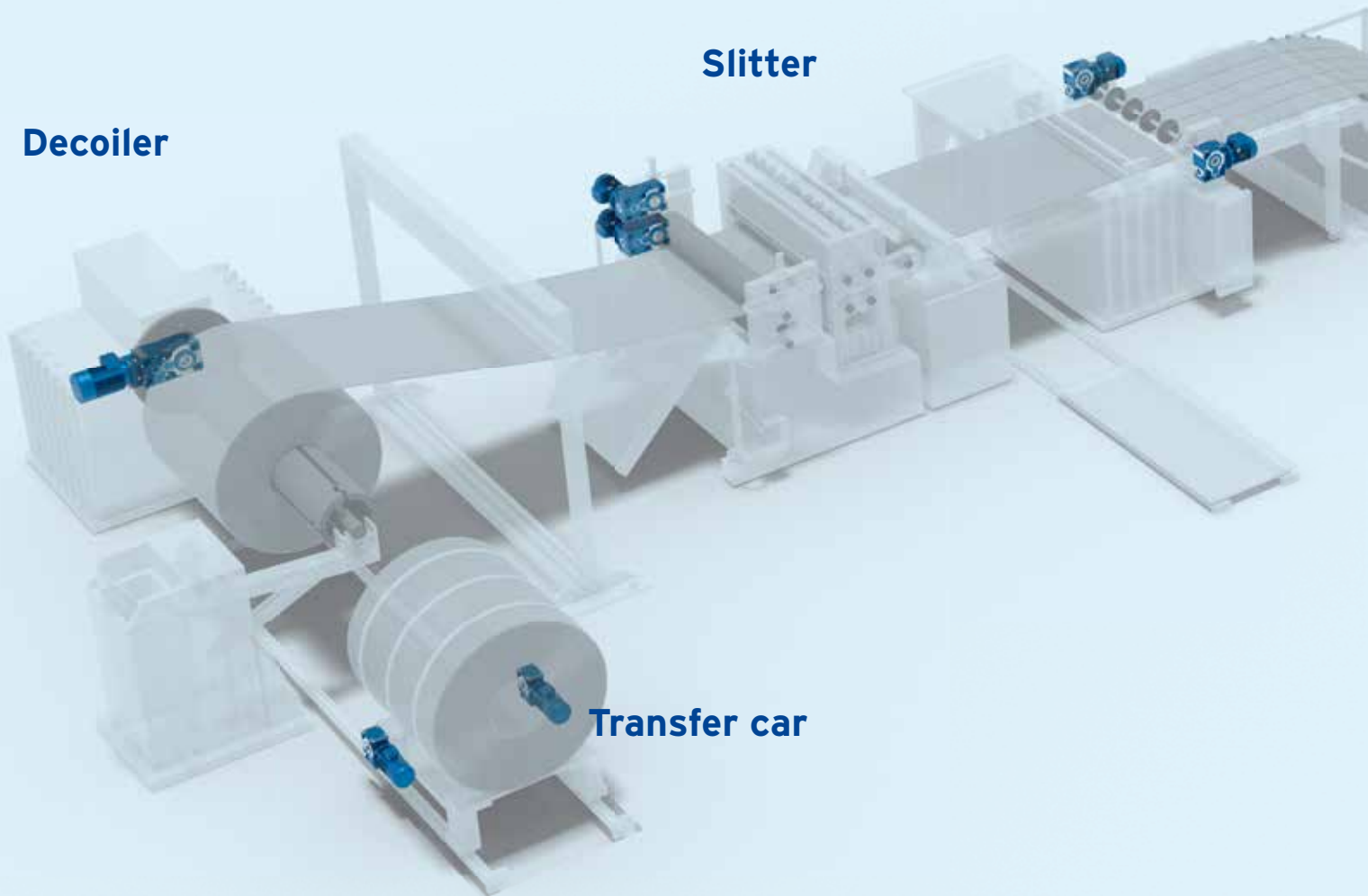


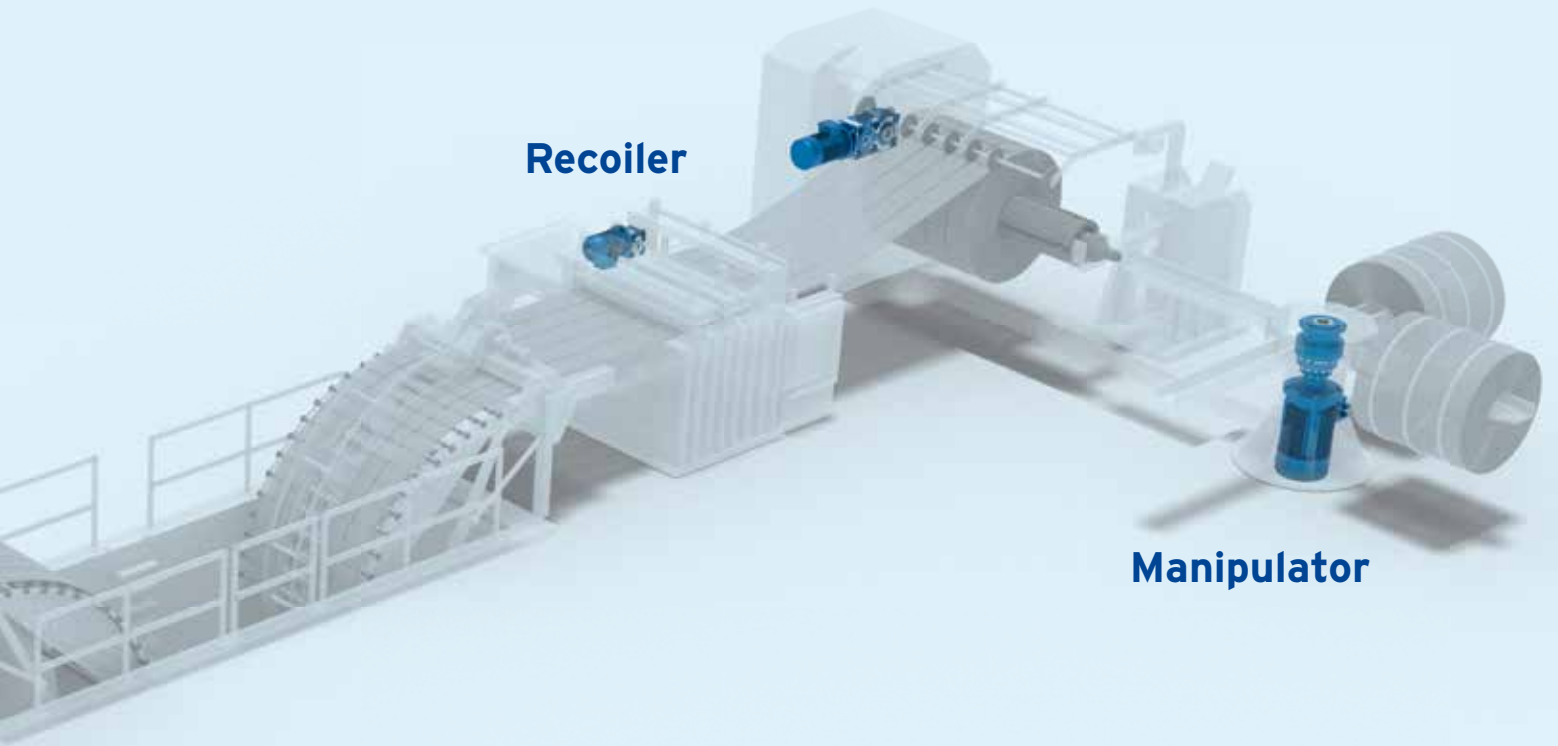
# Slitting

Decoiler

Slitter

Transfer car

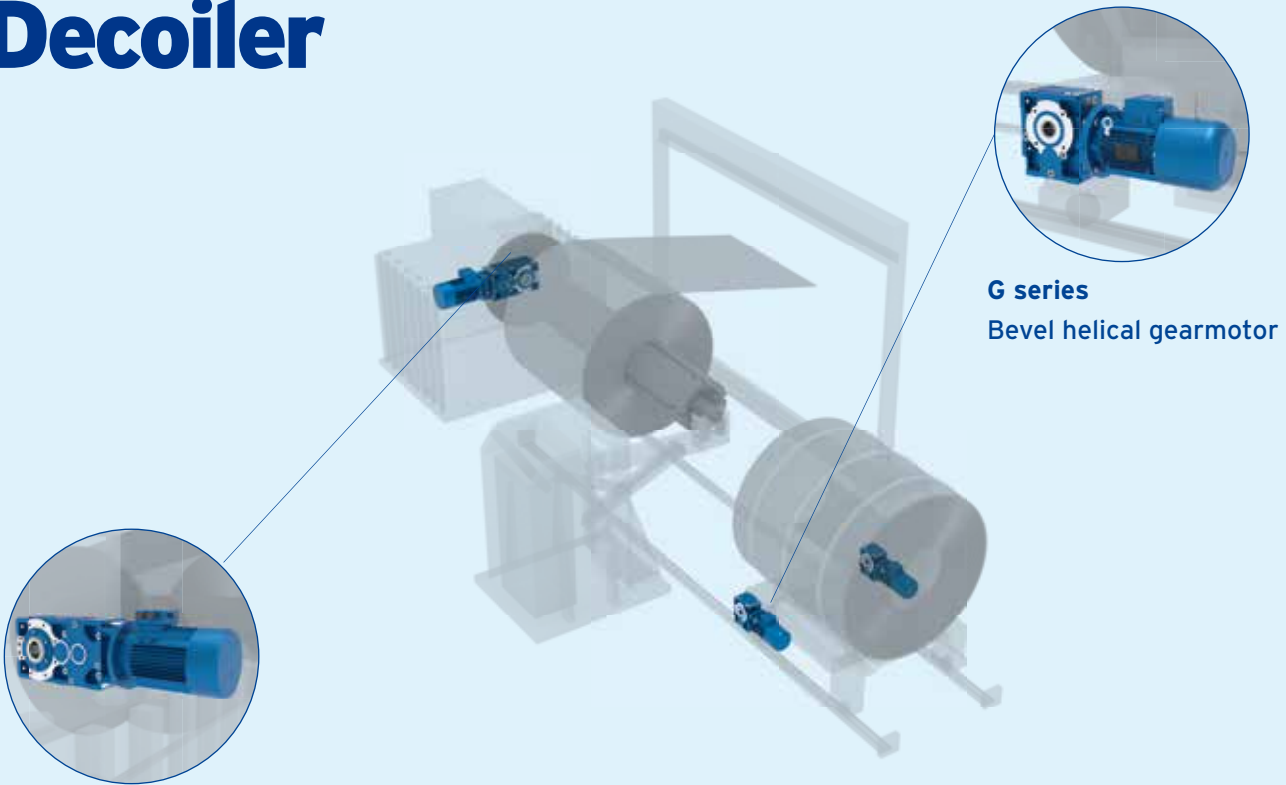




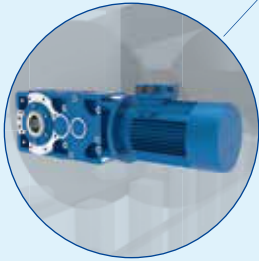
**Recoiler**

**Manipulator**

# Decoiler

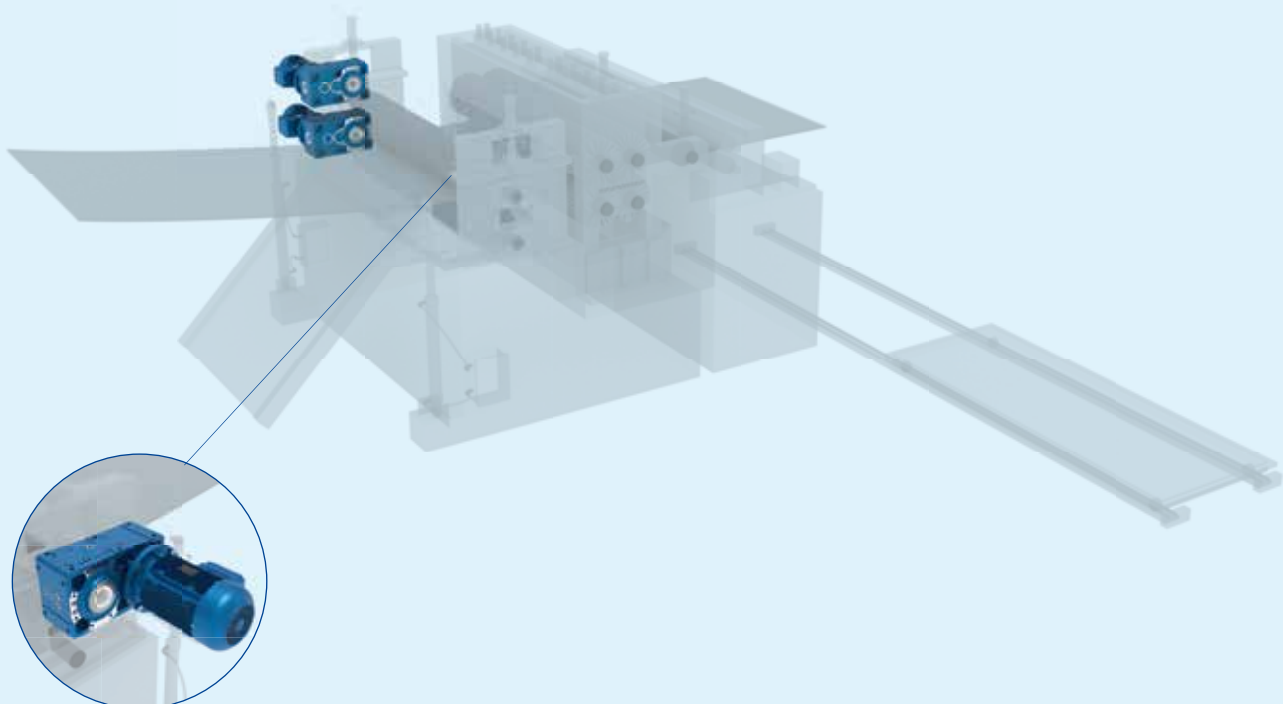


**G series**  
Bevel helical gearmotor



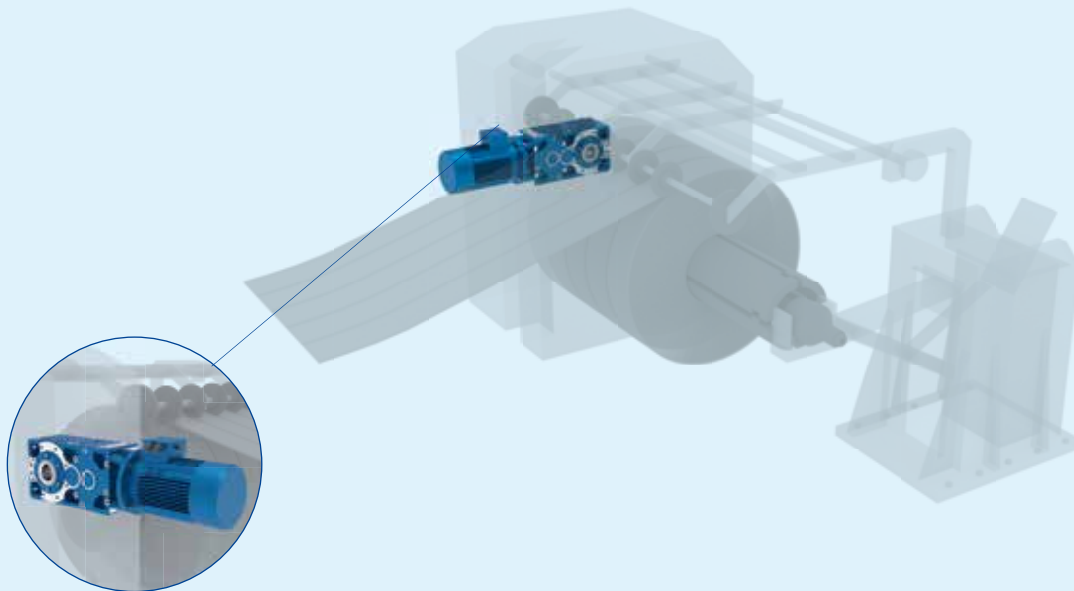
**G series**  
Bevel helical gearmotor

# Slitter



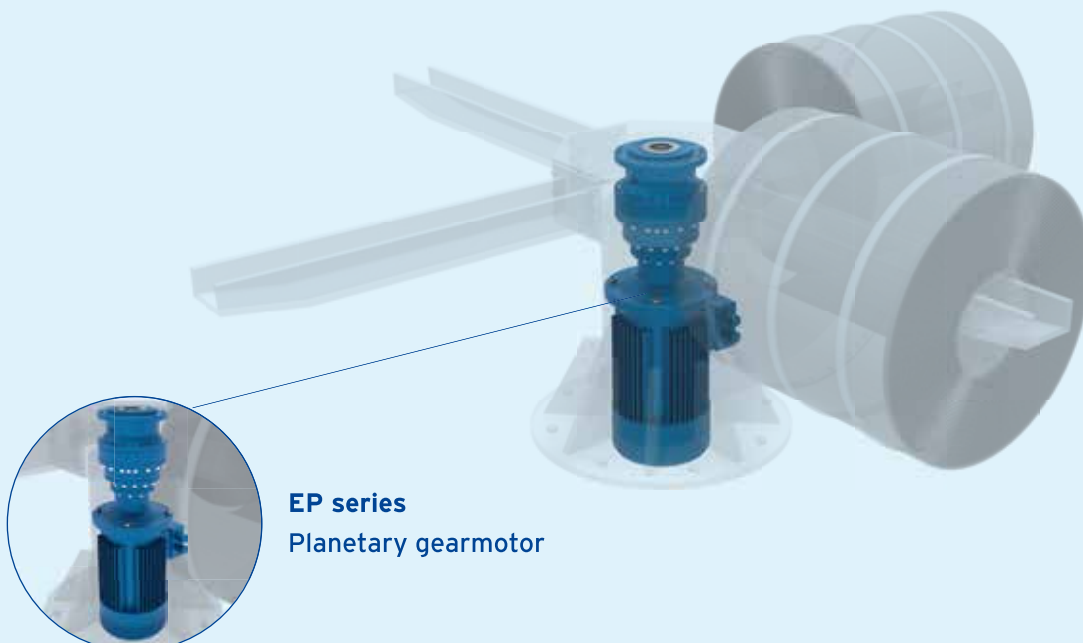
**G series**  
Bevel helical gearmotor

# Recoiler



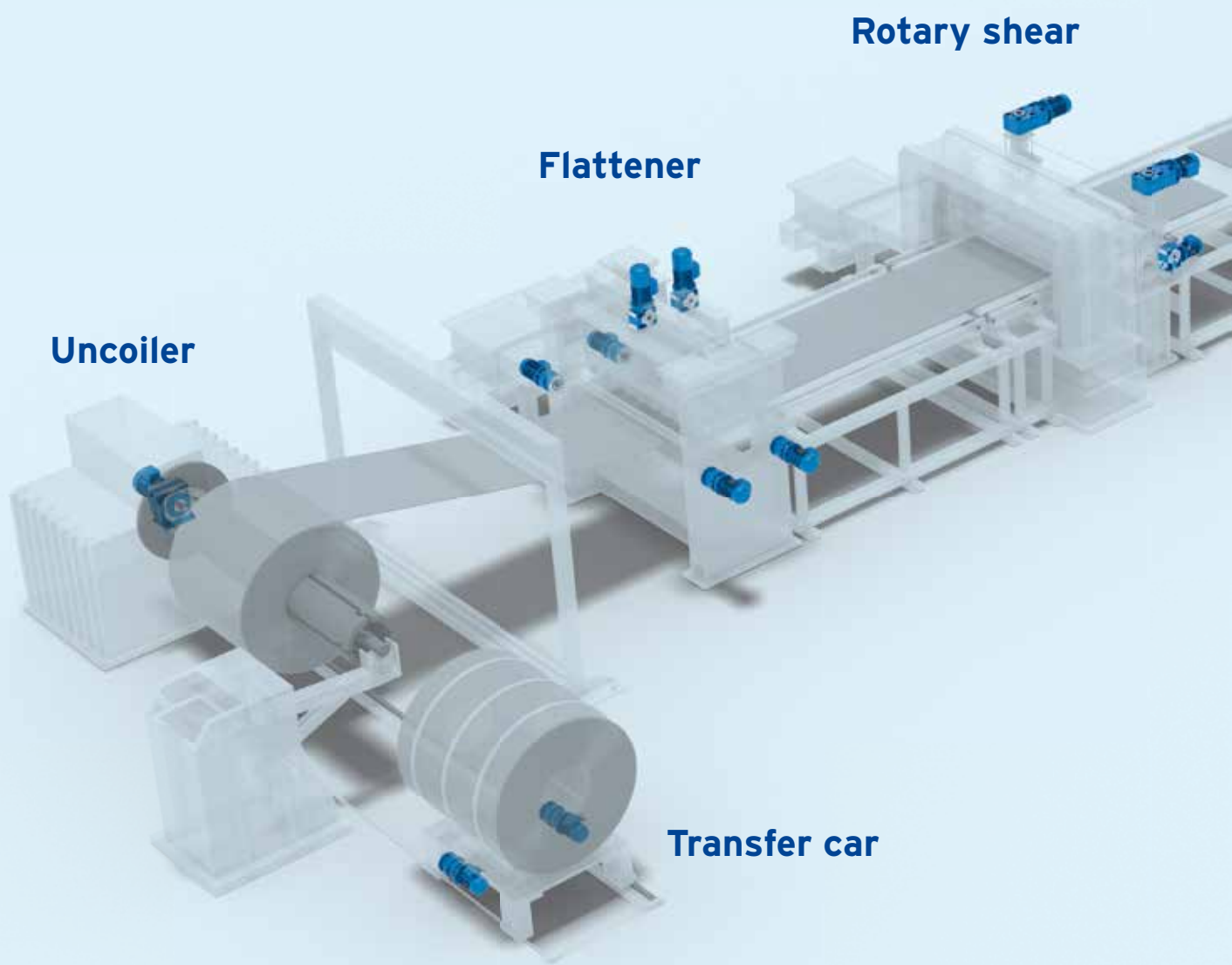
**G series**  
Bevel helical gearmotor

# Manipulator



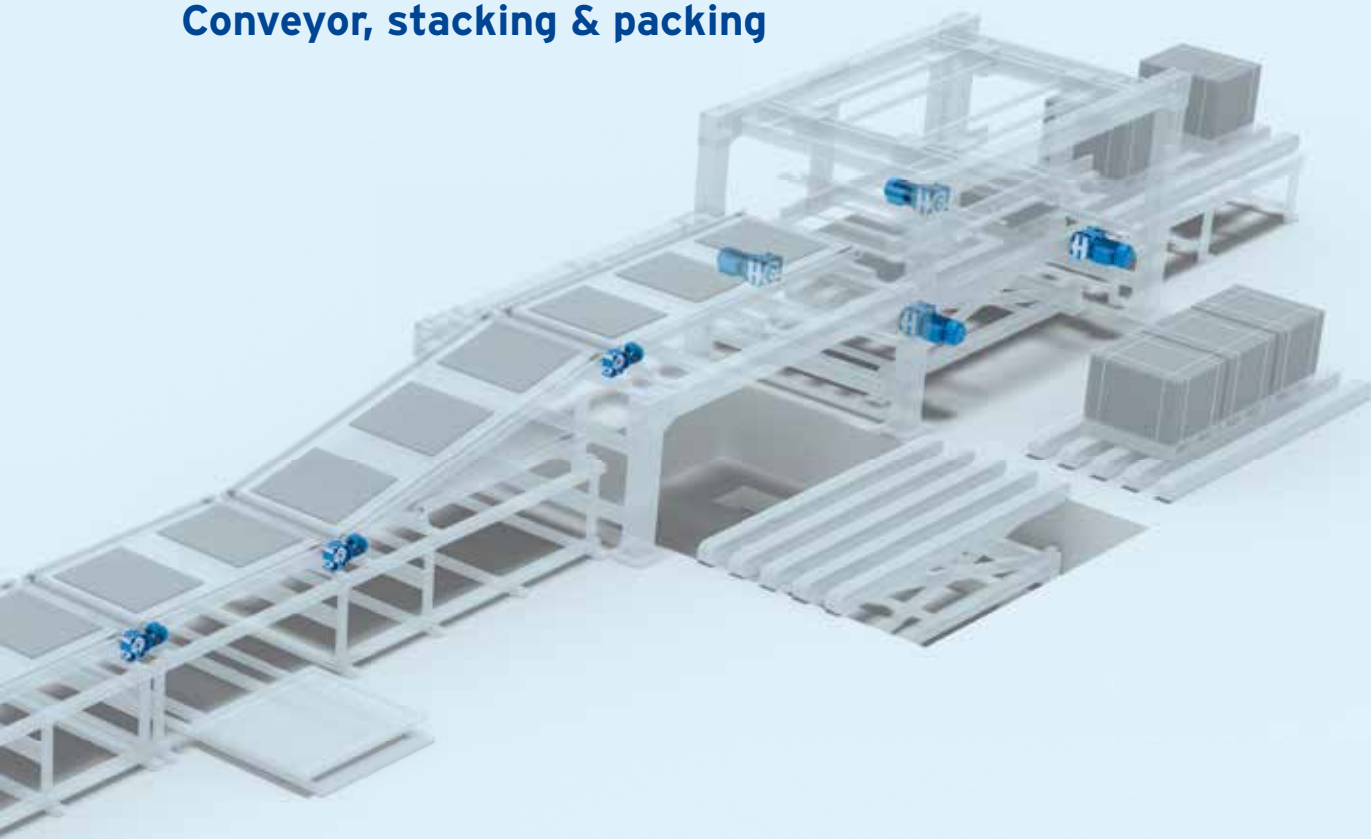
**EP series**  
Planetary gearmotor

# Cut to length





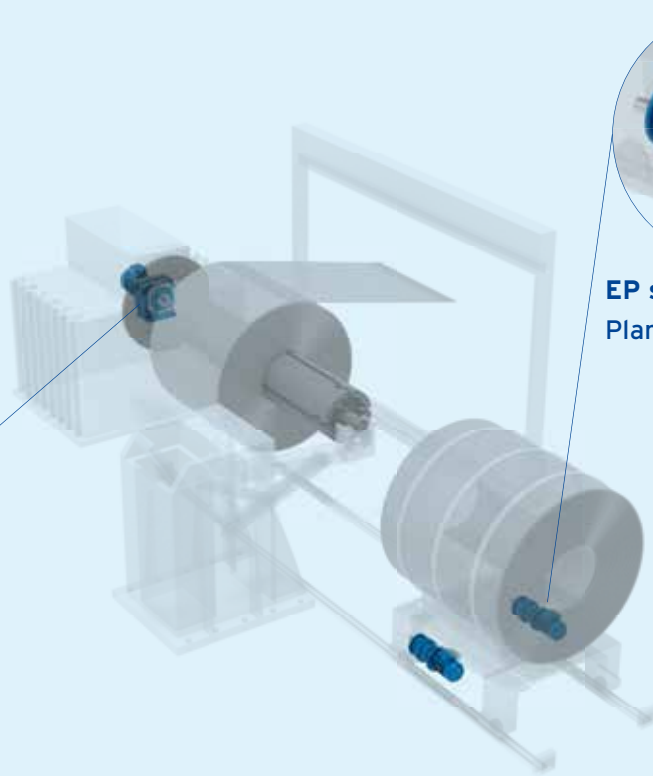
## Conveyor, stacking & packing



# Uncoiler



**E series**  
Coaxial inline gearmotor

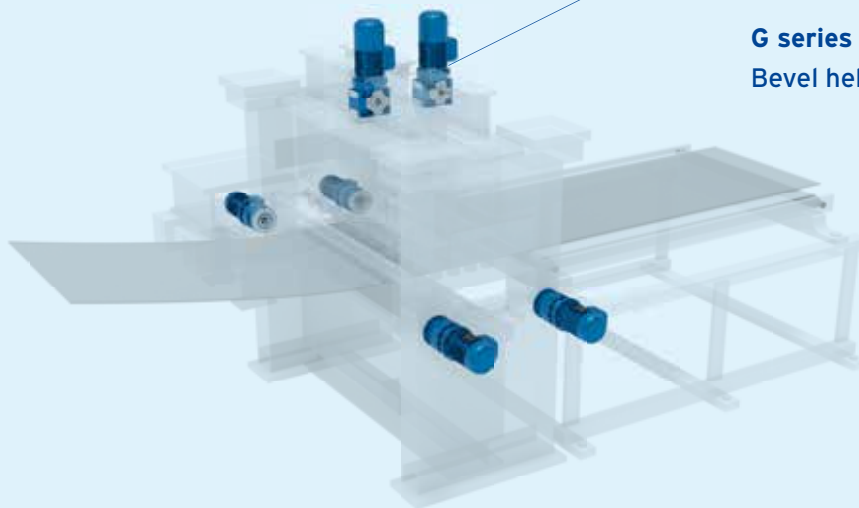


**EP series**  
Planetary gearmotor

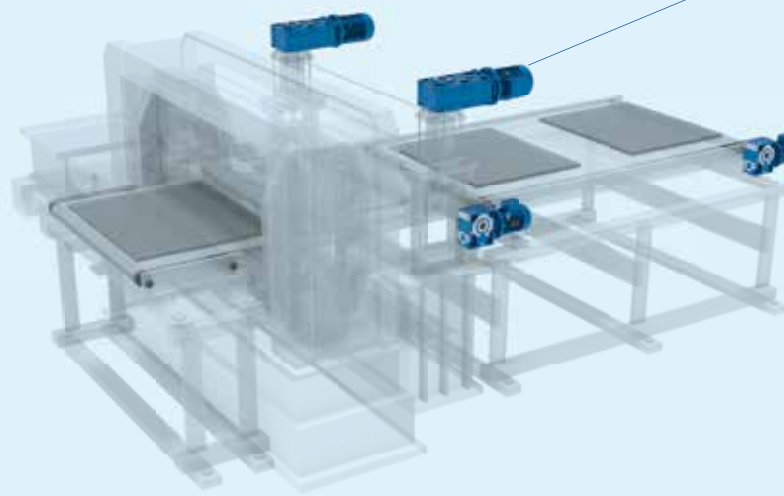
# Flattener



**G series**  
Bevel helical gearmotor



# Rotary shear



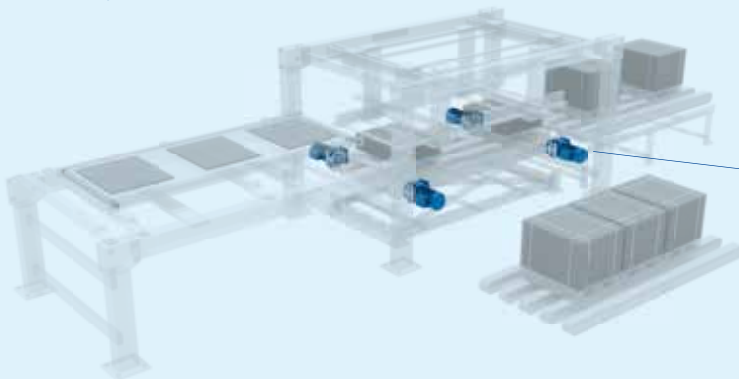
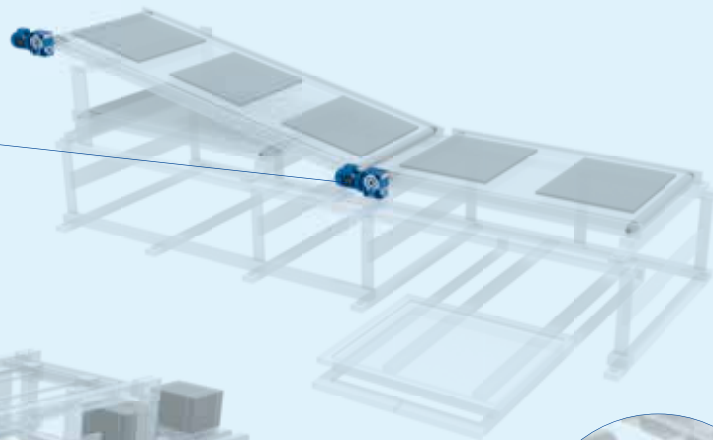
**G series**  
Bevel helical gearmotor



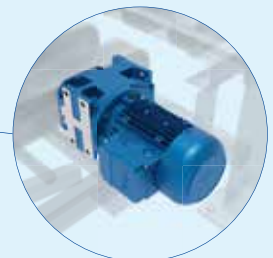
# Conveyor, stacking and packing



**G series**  
Bevel helical gearmotor



**G series**  
Bevel helical gearmotor



### G Series

#### Helical & bevel helical gear reducers & gearmotors

20 sizes 40 ... 401

Nominal torque ( $M_{N2}$ ) up to 900,000 lb in

Transmission ratio ( $i_N$ ) 2 ... 160 (with combo unit max ratio 12,500)

##### Features

- Single piece housings. Machined face on all 4 sides
- Housings in cast iron (and spheroidal cast iron); on demand ductile iron available
- Wide range of sizes & ratios available
- Direct IEC and NEMA motor input flanges
- Extended housing design for large center to center distance requirements
- Case carburized gear sets
- Helical gear pairs with ground profile
- Ground GLEASON spiral bevel gear set
- Bell housing for IEC and NEMA motors available
- Bell housing with or without elastic coupling available

##### Benefits

- High power to weight ratio
- Modular design allows for flexibility in mounting positions
- Minimum maintenance requirements
- High performance and reliability
- Strength and reliability for heavy duty applications



### H Series

#### Helical & bevel helical gear reducers

12 sizes 4,000 ... 8,001

Nominal torque ( $M_{N2}$ ) up to 8,850,000 lb in

Transmission ratio ( $i_N$ ) 8 ... 315

##### Features

- Universal spheroidal cast iron housing suited for horizontal and vertical mounting having integral feet
- Two-piece housing with stiffening ribs for high structural stiffness and high oil capacity
- 12 sizes, train of gears solutions and non-standard designs
- Helical gear units with 2 and 3 gear stages
- Bevel helical gear units with 1, 2 and 3 gear stages
- Case hardened and hardened gear pairs
- Helical gear pairs with ground profile
- GLEASON spiral bevel gear pairs with ground profile

##### Benefits

- One of the widest torque range from a single supplier
- Customized solutions on request starting from a standard modular design
- Short delivery times
- Optimized design for heavy industry applications
- Wide range of accessories available



## E Series

### Coaxial gear reducers & gearmotors

16 sizes 32 ... 180

Nominal torque ( $M_{N2}$ ) up to 90,000 lb in

Transmission ratio ( $i_N$ ) 4 ... 6.300

#### Features

- Universal mounting with lower/upper feet and B5 flange integral to the housing
- Rigid and precise cast iron single piece housing with high structural stiffness
- Helical tooth design with ground & carburized gearing
- Wide range of sizes
- Standard IEC motor input adapter

#### Benefits

- Long life
- Minimum maintenance requirements
- High performance and greater reliability
- Strength and reliability for heavy duty applications



## EP Series

### Planetary gear reducers & gearmotors

24 sizes 001 ... 3,000

Nominal torque ( $M_{N2}$ ) up to 26,000,000 lb in

Transmission ratio ( $i_N$ ) 3.55 ... unlimited

#### Features

- Multiple input stages in inline or right angle configurations
- Modular design
- Suitable with NEMA, IEC motors or hydraulic input
- Final stage gear set case carburized & ground with nitriding on internal sun gears
- Cylindrical spur gear with ground profile
- GLEASON spiral bevel gear pairs with ground profile
- Very compact size
- Wide range of accessories and non-standard designs
- Low backlash, enhanced stiffness and heavy duty bearings as a standard
- Improved lubrication system
- Wide range of hydraulic brakes

#### Benefits

- Easy and functional flange, foot, or shaft-mounting design
- High torque transmitted
- Extended range of transmission ratios
- Combined units EP + G, planetary + helical available



## TX Series

Premium line electric asynchronous three-phase motors and brake motors

### TX Series

Sizes 63 ... 315

Power ( $P_N$ ) 0.12 ... 147 hp

Polarity 2, 4, 6 poles

### Features

- IEC asynchronous three-phase motors
- Light alloy frame
- Light alloy fan \*
- Temperature rise class B
- IC 411 - totally enclosed fan cooling (TEFC)
- IC 416 - totally enclosed blower cooled (TEBC) \*
- Protection: IP 55 standard, up to IP 66 on request
- DC self braking \*
- Incremental or absolute encoder \*
- Thermistor type thermal probes 3 x PTC, double series \*
- IE3 and IE4 Energy efficiency
- Standard and safety brake (AC. DC)
- Optional executions available (encoders, axial cooling, etc.)

### Benefits

- Compactness and flexibility
- Wide voltage range allowed
- UL certified \*, NEMA \*, EISA \*
- Suitable for running with inverter
- Reduced environmental impact and energy saving

\* optional



## S Series

### Heavy duty roller table motors with radial fins

#### S Series

Sizes 112 ... 250

Power ( $P_N$ ) 37.5 ... 56.4 hp

Polarity 4 and 6 poles

#### Features

- Cast iron frame
- Wire corona resistant and VPI\*
- IEC asynchronous three-phase
- IC 410 - totally enclosed not ventilated (TENV)
- Protection: IP 55 standard, IP 65\* and IP 66\*
- DC self braking \*
- Incremental encoder
- Thermistor type thermal probes 3 x PTC, double series \*
- Insulation class F (H\*)
- Motor heater \*

#### Benefits

- Specifically designed for heavy industry. in particular roller tables and conveyor roller tables
- Wide voltage range allowed
- UL certified \*

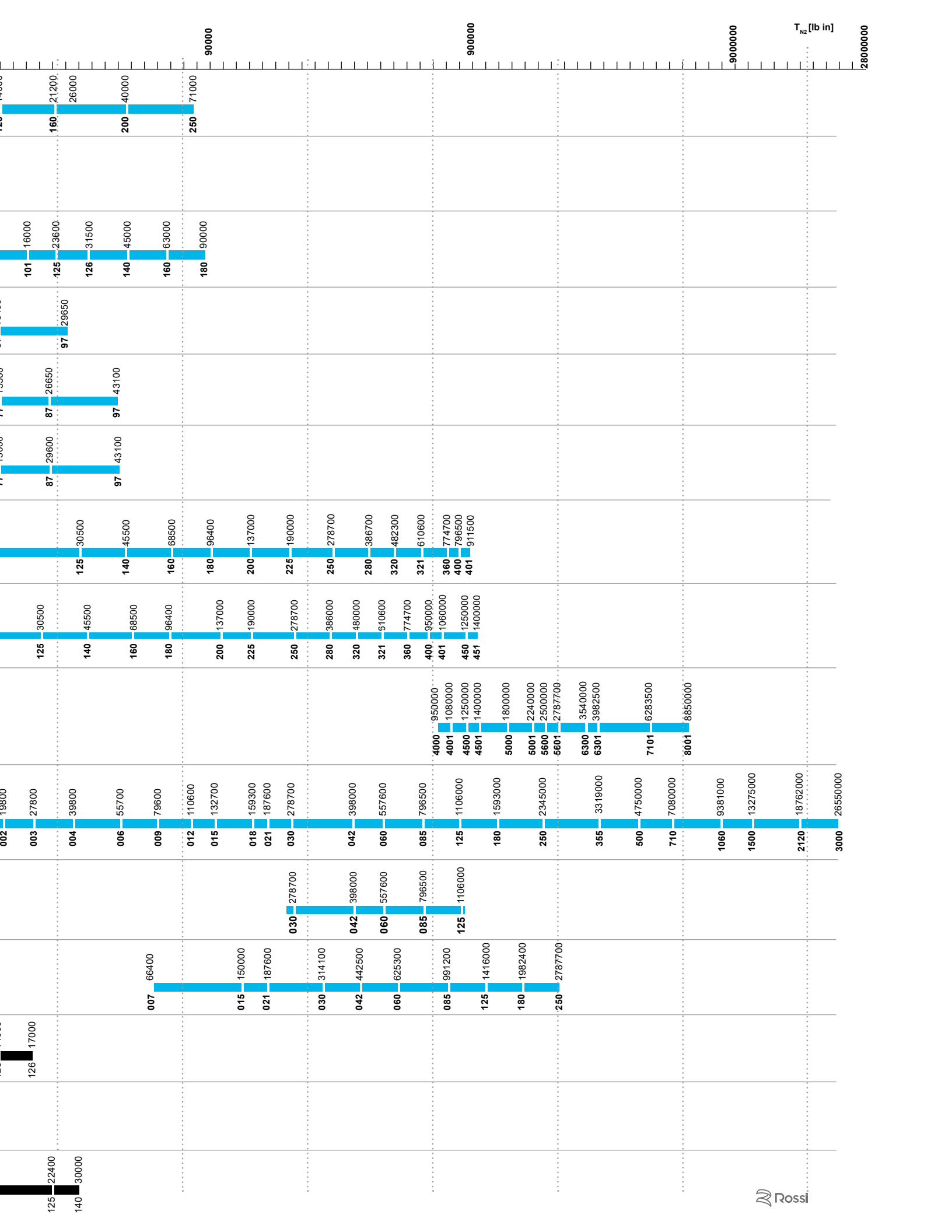
\* optional





# Gear reducers and gearmotors

Series	Type	Unit	Number of Sizes	Weight Range (lb)
<b>A Series</b>	Worm	lb in	14 sizes	32 - 14000
<b>AS series</b>	Worm Standardfit	lb in	6 sizes	118 - 6000
<b>E Series</b>	Helical inline	lb in	16 sizes	32 - 11800
<b>iFIT Series</b>	Helical inline	lb in	8 sizes	27 - 15490
<b>iFIT Series</b>	Bevel helical	lb in	7 sizes	37 - 15500
<b>iFIT Series</b>	Parallel shaft helical New range	lb in	8 sizes	27 - 15000
<b>G Series</b>	Helical and bevel helical	lb in	20 sizes	40 - 15000
<b>GX Series Extruder</b>	Helical and bevel helical	lb in	16 sizes	100 - 15000
<b>H series</b>	Helical and bevel helical	lb in	12 sizes	100 - 15000
<b>EP Series</b>	Planetary	lb in	24 sizes	100 - 14100
<b>EP Winch Series</b>	Winch Drives	lb in	5 sizes	100 - 14000
<b>EPS Series</b>	Planetary Slewing	lb in	10 sizes	100 - 14000
<b>SR series</b>	Worm	lb in	10 sizes	32 - 14000
<b>SR series</b>	Helical in line	lb in	11 sizes	32 - 13200
<b>SR series</b>	Helical and bevel helical	lb in	9 sizes	40 - 12500









**Our references**



**FURNACE ENTRY ROLLER TABLE  
COAXIAL E SERIES + MOTOR S SERIES**

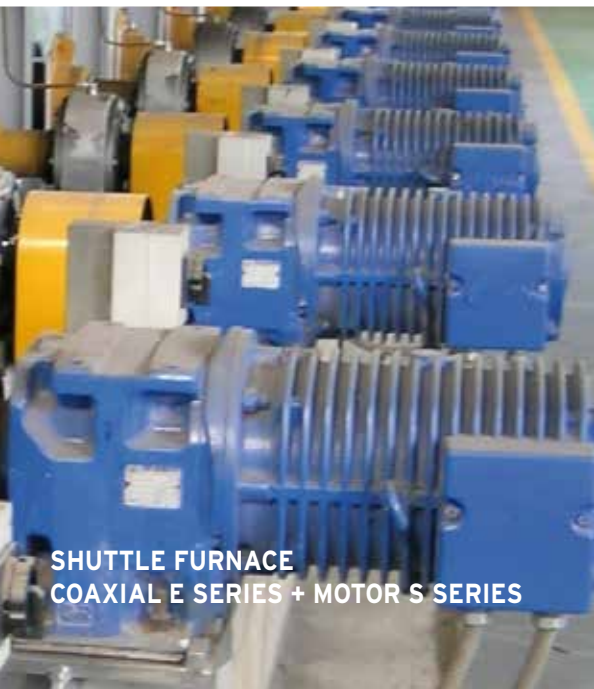


**KICK-ON / KICK-OFF MACHINE  
HELICAL AND BEVEL HELICAL G AND H SERIES**



**FURNACE EXIT ROLLER TABLE  
COAXIAL E SERIES + MOTOR S SERIES**

**We deliver  
reliable  
solutions  
worldwide**



**SHUTTLE FURNACE  
COAXIAL E SERIES + MOTOR S SERIES**



**TUNNEL FURNACE  
COAXIAL E SERIES + MOTOR S SERIES**







**SEAMLESS PIPE MILL  
HELICAL G OR BEVEL EP + MOTOR TX SERIES**



**FURNACE ENTRY ROLLER TABLE  
COAXIAL E SERIES + MOTOR TX SERIES**



**ROUGHER MILL APPROACH ROLLER TABLE  
COAXIAL E SERIES + MOTOR S SERIES**



**HOT LEVELLER ROLLER TABLE  
HELICAL G OR BEVEL EP + MOTOR TX SERIES**



**WITHDRAWAL AND STRAIGHTENING  
COMBINED BEVEL G + COAXIAL E + MOTOR TX SERIES**



**ENTRY / EXIT LOOPER - BRIDLES  
HELICAL AND BEVEL HELICAL G AND H SERIES**



# Solutions for an evolving industry

In the global marketplace, our customers, investors, partners value our products and services for two reasons: excellence and reliability. At Rossi we utilize change as a strategic lever for our growth. "Solutions for an evolving industry" fully expresses

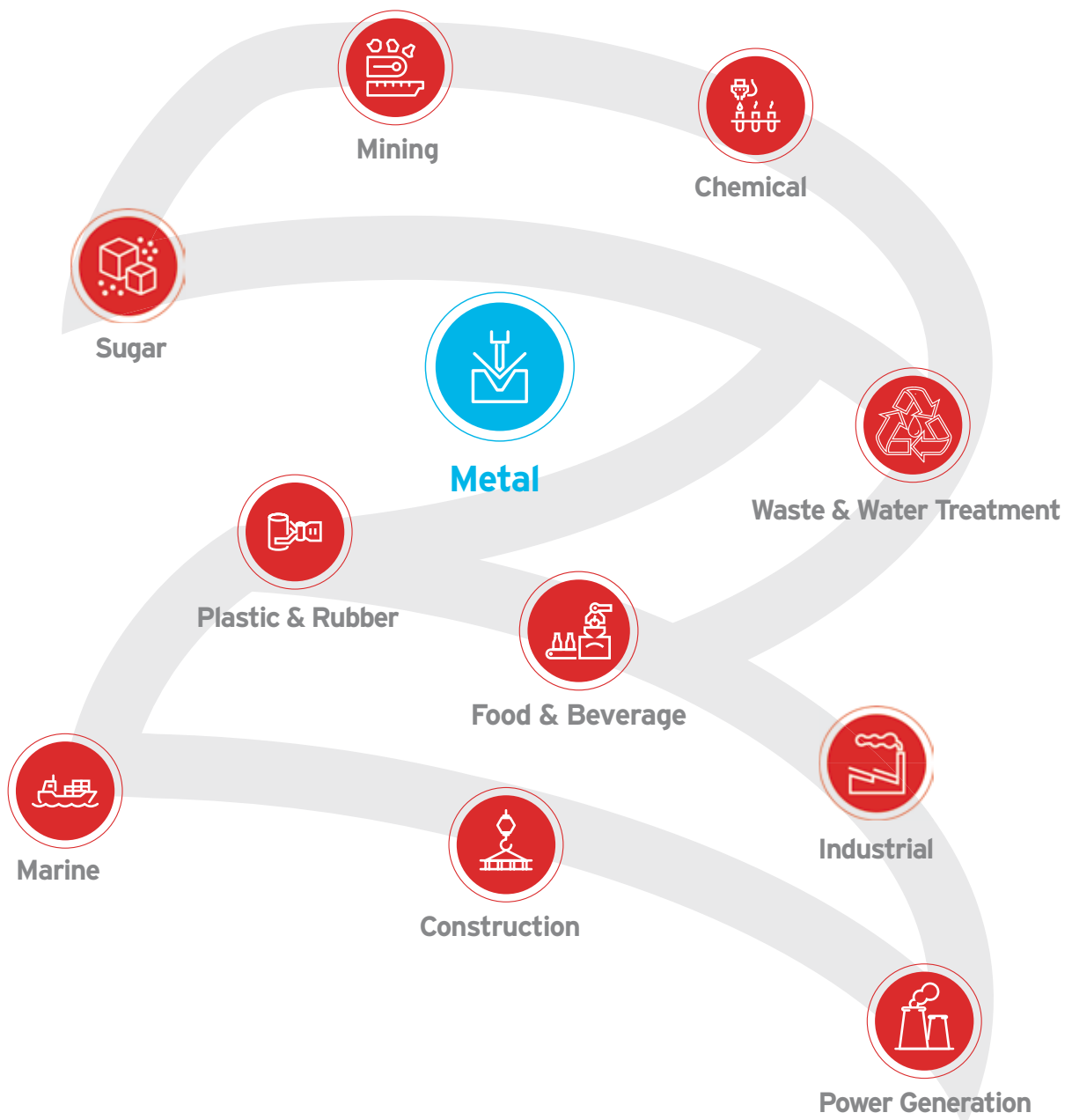
our corporate philosophy: We are a flexible and dynamic reality, able to satisfy all requirements of a continuously evolving industrial world, thanks to our innovative solutions.

- Cutting-edge manufacturing
- Specialized housing machining
- Extensive systematic controls
- Experience and know-how
- Excellence and innovation
- Reliable customer support.





# We have a solution for every segment



# Global presence local service



### Local support

Sales, customer service,  
technical support, spare parts




### 18 branches\*




### Worldwide distribution network\*

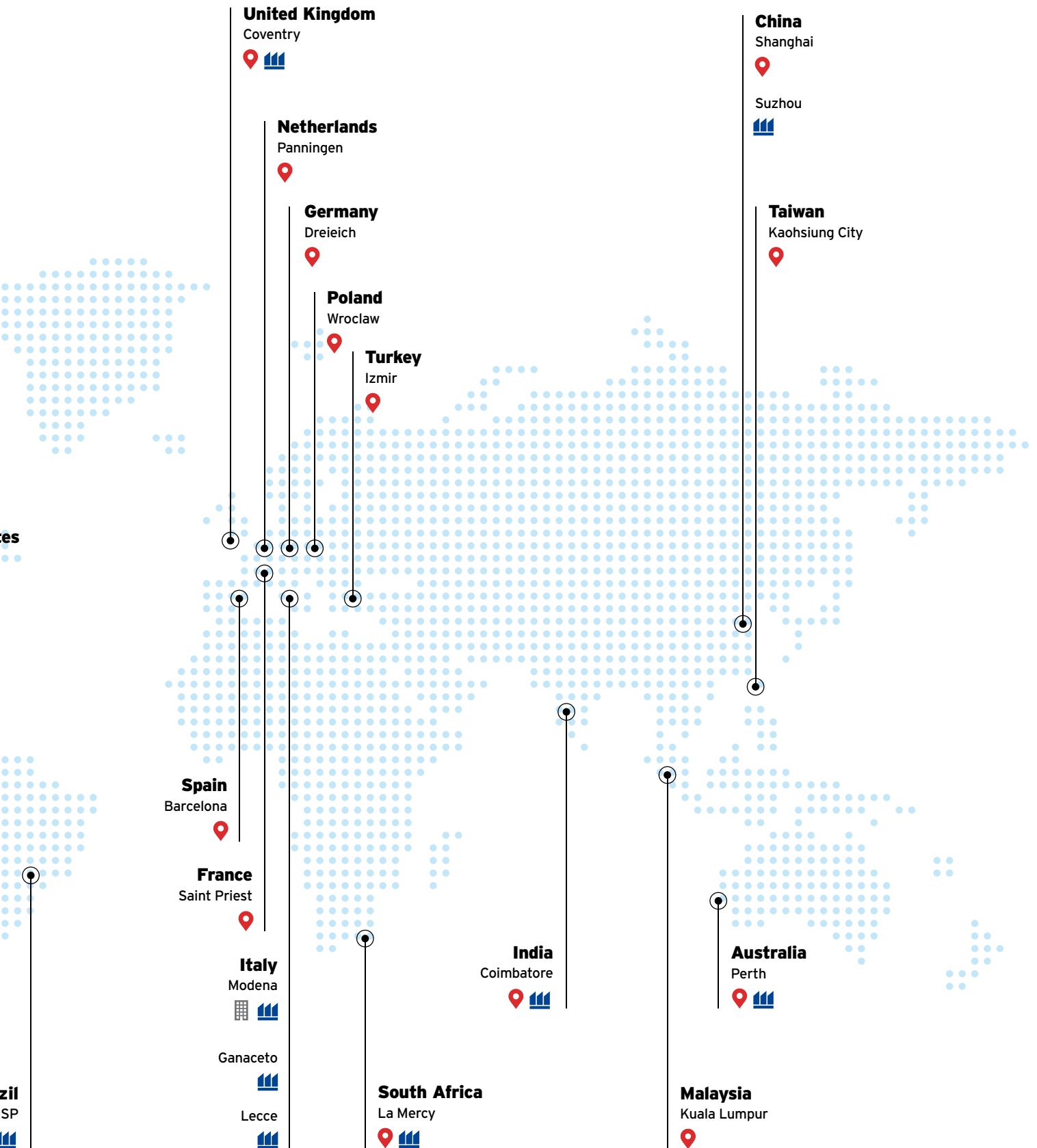


\*All contacts available on [www.rossi.com](http://www.rossi.com)

 Main offices

 Affiliated companies

 Production facilities/Assembly plants



# Key figures



over **1,000** people around the world



**5,000** customers worldwide



**70** years of experience



**50** million euros investments in new technologies and methodologies to improve manufacturing efficiency



**18** affiliated companies



**5** production facilities



**8** assembly plants

## After-sale service



Highly trained mechanics and support teams can ensure a fast and efficient after-sale service providing support worldwide.



Our new space is your gateway to a world of information, assistance, and seamless access to the solutions you need. Whether you're an end user, distributor, or OEM partner you will find a personalized area to explore and manage all things related to your Rossi products.

Visit us at  
[www.rossi.com](http://www.rossi.com)

# Quality

## 3 years warranty\*



Our drive is to innovate and boost operations by manufacturing performing, precise, reliable and high-quality products all over the world. We are always one step forward in offering and developing solutions that can satisfy an unlimited number of application needs, even in the most demanding conditions.

\* As per our warranty terms.

## System certifications

ISO  
9001:2015

ISO  
14001:2015

ISO  
45001:2023

## Product certifications





Solutions for  
an evolving  
industry

**Rossi North America**  
3355 Martin Farm Road, Suite #400  
Suwanee, GA 30024

Phone - 1 800 931-2044  
Fax - 1 678- 288-3658

[info.northamerica@rossi.com](mailto:info.northamerica@rossi.com)  
[www.rossi.com/northamerica](http://www.rossi.com/northamerica)

© Rossi S.p.A. Rossi reserves the right to make any modification whenever to this publication contents.  
The information given in this document only contains general descriptions and/or performance features  
which may not always specifically reflect those described.

2618.BRO.MET-24.04-0-US